

Installation and operating instruction for Jøtul boxstove No. 201

This installation and operation
instruction is divided in 5 parts:

1. General information
2. Hazards connected to the use
of closed room heaters
3. Installation
4. Operation of the room heater
5. Sweeping and maintenance



THIS SYMBOL ON THE NAMEPLATE OF THE PRODUCT
MEANS IT IS LISTED BY UNDERWRITERS LABORATORIES
INC. ONLY THOSE PRODUCTS BEARING THIS LISTING
MARK ARE CONSIDERED AS COVERED BY UL'S LISTING
AND FOLLOW-UP SERVICE.

SAFETY NOTICE

IF THIS FIREPLACE STOVE IS NOT PROPERLY INSTALLED, A HOUSE
FIRE MAY RESULT. FOR YOUR SAFETY, FOLLOW THE INSTALLATION
DIRECTIONS. CONTACT LOCAL BUILDING OR FIRE OFFICIALS ABOUT
RESTRICTIONS AND INSTALLATION INSPECTION REQUIREMENTS IN
YOUR AREA.



Aksjeselskapet Jøtul
Postboks 6206 - ET. Oslo 6
Norway

1. GENERAL INFORMATION

1.1. Technology.

Jøtul Boxtove no. 201 is based on a new combustion technology developed by Jøtul.

The combustion takes place in two combustion chambers, one primary and one secondary chamber. See Fig. 1.

The usual wood combustion takes place in the primary chamber. The resulting fumes that otherwise would have gone up the chimney is now carried to the secondary chamber, where they are mixed with preheated air.

The supply of oxygen and the high temperature will thus induce a combustion of the gas (secondary combustion).

- 1.2. Stove No 201 is a cast iron product developed for wood as fuel. Wood of a length up to appr. 30 cm can be used and the stove can hold a quantity of wood of appr. 4 kg.
- 1.3. When installing, operating and maintaining this heater, please follow the guide-lines given in these instructions. Save the instruction so it is always available for everybody using the heater.

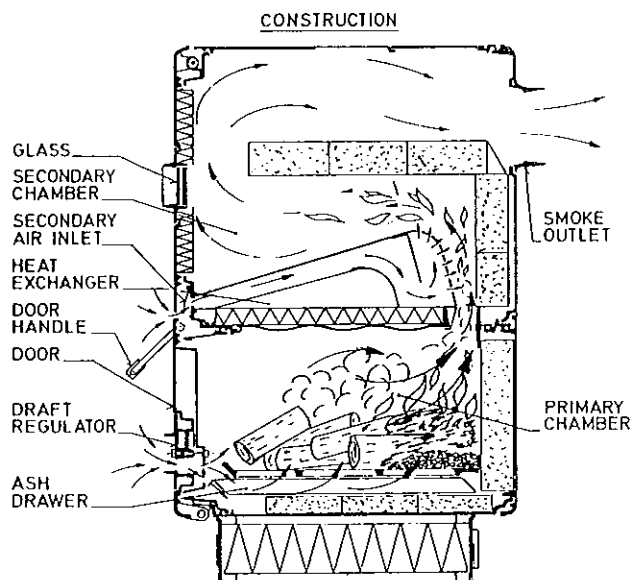


FIG. 1

2. HAZARDS CONNECTED TO THE USE OF CLOSED ROOM HEATERS

- 2.1. Any use of fire, also in connection with closed room heaters represent a certain danger.
- 2.2. With intense firing, the temperature of the cast iron can exceed 500°C (932°F). The following factors must always be considered.
 - a. The heater should not be installed in parts of the room where there is traffic.
 - b. Loose inflammable material must be kept in a safe distance from the heater, i.e. minimum 90 cm (36").
 - c. Children must be taught that the heater is hot and must not be touched.
 - d. Clothes must not be dried over the heater. They can fall down and be ignited.
 - e. The heater must be installed in accordance with the local regulations, and according to the instructions given by Jøtul Inc.
 - f. The heater must be used and maintained in accor-

- 2.3. Never use the heater if there are combustible gases in the room.
- 2.4. **Poisonous gases** can come out into the room if for example the ventilation system creates a low pressure in the room where the heater is placed.
- 2.5. Make sure that sparks and embers don't get out of the heater when the door is opened.
- 2.6. Be aware that even if the ashes look cold, there might still be some burning embers left. Avoid placing the ashes close to combustible materials before you are positive that all burning embers are out.
- 2.7. Do not use the heater with an open door. The heater can then be overheated.
- 2.8. Do not use grates or any other means of raising the wood fuel from the floor of the firechamber.
- 2.9. **Creosote — Formation and Need for Removal.** When wood is burned slowly, it produces tar and other organic vapors, which combine with expelled moisture to form creosote. The creosote vapors condense in the relatively cool chimney flue of a slowburning fire. As a result, creosote residue accumulates on the flue lining. When ignited this creosote makes an extremely hot fire. The chimney connector and chimney should be inspected at least twice monthly during the heating season to determine if a creosote buildup has occurred. If creosote has accumulated it should be removed to reduce the risk of a chimney fire. Experienced chimney servicing personall should be consulted. This stove is designed to give a minimum of creosote buildup.
- 2.10. Utilize wood as the only fuel, and never liquid fuels. Liquid fuel utilized in a heater for solid fuel can result in an explosion and fire. Never use gasoline, gasoline-type lantern fuel, kerosene, charcoal lighter fluid, or similar liquids to start or «freshen up» a fire in this heater. Keep all such liquids well away from the heater while it is in use. Never use or store flammable liquids, especially gasoline, in the vicinity of the heater. **FOR YOUR SAFETY.** Follow these installation instructions. If this stove is not properly installed, a house fire may result.

3. INSTALLATION

- 3.1. **FOR YOUR SAFETY.** Follow these installation directions. If this stove is not properly installed a house fire may result. Check and execute each step before you proceed.
- 3.1. Check the local rules. All installations of Jøtul's boxstove no 201 must be according to the local regulations and as stated in these instructions. Consult local building code authorities for specific requirements concerning installation of the product. For further information on using your heater safely, obtain a copy of the National Protection Association publication «Using coal and wood stoves safely», NFPA No HS-10-1978. The address of the NFPA is:
Battery March Park,
Quincy, Ma. 02269.
- 3.2. Inspect your chimney. The heater can be connected to masonry chimneys for residential type appliances, or an Underwriters Laboratories Inc. Listed Residential Type and Building Heating Appliance Chimney 6 in diameter. Single wall me-

JØTUL® ROOM HEATER NO. 201
UL 1482 - NBRK - RPT 12 / 15 / 81

- A. For Use With Solid Wood Fuels Only.
- B. Install and use only in accordance with the manufacturer's installation and operating instructions.
- C. Inspect and clean chimney frequently. Under certain conditions of use, creosote build-up may occur rapidly.
- D. Do Not Overfire. If Heater Or Chimney Connector Glows, You Are Overfiring.
- E. Do Not Use Grate Or Elevate Fire. Build Wood Fire Directly On Hearth.
- F. Do Not Connect This Unit To A Chimney Flue Serving Another Appliance.
- G. Min. 24 gauge steel chimney connector should be used.
- H. Min. 6 inch square masonry or 6 inch dia. residential and building heating appliance chimney.
- I. Contact Local Building Or Fire Officials About Restrictions And Installation Inspection In Your Area.

FLOOR PROTECTION:	FLUE OUTLET	TOP	REAR	SIDE
Number of layers *)		2	2	4
Required dimensions:				
Under room heater and				
- in front of unit		18 in.	18 in.	18 in.
- side, back of unit		8 in.	8 in.	8 in.
Under chimney connector and				
- each side of connector		2 in.	2 in.	2 in.
*) Layers of 3/8 inch millboard where $K \leq 0.84 \text{ Btu}\cdot\text{in}/\text{ft}^2\cdot\text{h}\cdot\text{F}$.				

CLEARANCES:	TOP		REAR			SIDE		
	2T	1T	1R	2R	3R	1S	2S	3S
A	38 in.	38 in.	38 in.	38 in.	38 in.	38 in.	38 in.	38 in.
X	24 in.	24 in.	24 in.	24 in.	24 in.	24 in.	24 in.	24 in.
Y	26 in.	26 in.	13,5"	—	13,5"	28 in.	—	28 in.
Z	—	18 in.	18 in.	63 in.	—	18 in.	63 in.	—

FIG. 2

of a square masonry chimney should be minimum 6 by 6 inch. For a circular listed insulated chimney a diameter of 6 inch is recommended. The minimum height of the chimney should be in accordance with the chimney manufacturer's instruction. Do not connect this unit to a chimney flue serving another appliance.

- 3.3. Determine where you want to install the heater. The heater can be installed in different ways, but the installation must be in accordance with these instructions.

Fig. 2 shows the listed installations and the clearances that can be used.

- 3.4. Make a floor protector.

Top and rear flue outlets:

The heater shall be placed on a floor protector not less than two layers of 3/8 inch millboard or equivalent, or provided by the use of UL Listed floor protectors.

Side flue outlets:

The heater shall be placed on a floor protector not less than four layers of 3/8 inch millboard or equivalent, or provided by the use of UL Listed floor protectors.

Millboard is defined as a non combustible material having a thermal conductivity of $K \leq 0.84 \text{ BTu. in/ft}^2 \cdot \text{h. } ^\circ\text{F}$.

The floor protector shall extend at least 18 inches in front, and at least 8 inches to each side of and beyond the back of the heater. See Fig. 2.

Where the chimney connector extends horizontally, the floor protector shall cover the area beneath the connector and 2 in. to each side.

If possible, the floor protector should cover the floor in this direction just up to the wall. The floor protector may be placed on the sub or finish flooring and shall be readily distinguishable from the surrounding floor.

- 3.5. Installation of the stove.

Make sure that the insulating fireproof stones, grate and ashpan are in right place.

Place your heater on the floor protector according to the clearances given in the previous section. The clearances to combustible walls may be reduced by using UL-Listed Wall Shields. Refer to the wallshield manufacturer's instructions for details.

- 3.6. Install the chimney connector.

With the heater in place you can now determine the path of the chimney connector. The connector shall be used to connect the heater to the chimney. The connector shall be made of noncombustible corrosion resistant material such as steel or refractory masonry. If a steel connector is to be used, it should be 24 gauge or thicker. A connector shall be as short and straight as possible.

A 6" chimney connector should be used. The heater is delivered with a 5"–6" adapter which must be attached to the smoke outlet.

The adapter is secured to the smoke outlet by two 6 mm screws which are delivered with the heater.

A connector to a masonry chimney shall extend through the wall to the inner face or liner, but not beyond, and shall be firmly cemented to masonry. A thimble must be used to facilitate removal of the chimney connector for cleaning, in which case the thimble shall be permanently cemented in place with high-temperature cement.

A chimney connector shall not pass through any floor or ceiling, nor through a fire wall or fire partition.

- 3.7. Before building a fire.

With the chimney connector properly secured to the smoke outlet, your Jøtul heater No 201 is ready for use. Please read the following section carefully.

4. OPERATION OF THE ROOM HEATER

- 4.1. Firing a cold stove.

Put some newspaper and some splinters on the grate. Pour in with dry fine splitted wood from the back wall. Turn the primary air valve to maximum opening. When the wood is burning, close the door so that the closing hooks come between the door and the door frames, and provide a split above the door.

Wait appr. 5–10 minutes (do not put in more wood supply). Close the door (press the handle down and the secondary air valve will get to max. opening).

Look after the secondary combustion through the «window» for appr. 2 minutes.

If the flames in the secondary chamber die out within 2 minutes, open the door.

Keep the door open till the combustion increases. Repeat the closing as mentioned above.

- 4.2. After some time when the secondary combustion comes to an end, appr. 30 minutes, the wood has turned into charcoal. We are still in the starting phase of the firing and to increase the temperature even more in the combustion zone, the door has to be opened and the stove must be supplied with more wood. Close the door (press the handle down so that the secondary air valve will get to max. opening).

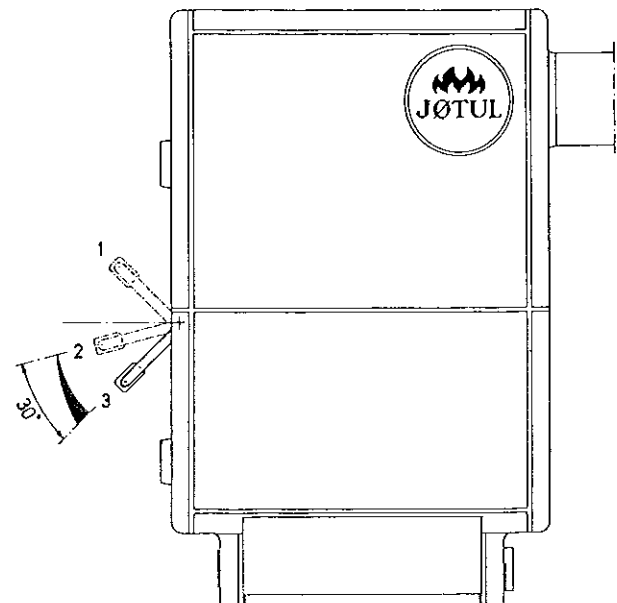
Look after the secondary combustion through the «window» for appr. 2 minutes.

If the flames in the secondary chamber die out within 2 minutes, open the door. Keep the door open until the combustion increases, repeat the closing as mentioned above.

- 4.3. After closing the door and after the secondary combustion has lasted for appr. 5 minutes, the combustion can be regulated down by reducing the primary air opening. Do not reduce it too much in case it dies out in the secondary chamber. (The min. opening is dependent on the local conditions).

- 4.4. When the secondary combustion stops (in appr. 1 hour) the wood has turned into charcoal. The starting phase of the firing is now over, and the combustion continues without any supply of wood.

SECONDARY AIR REGULATION



- 4.5. We have now a pure charcoal combustion requiring less secondary air supply. Therefore lift the handle from position «3» to «2». See fig. 3. A pin on the axle of the handle lets the secondary air valve down to a min. opening.
By doing this reduction of the secondary air supply during the charcoal stage, the wood's energy content can be utilized by another 3—5 %.
- 4.6. When only the embers are left, supply with the wanted quantity of wood.
To prevent smoke coming out into the room, regulate the primary air valve to a max. opening *before opening the door*.
Do not forget to push the embers backwards.
Close the door (press the handle down so that the secondary air valve gets to a max. opening). Look after the secondary combustion through the «window» for appr. 2 minutes.
If the flames die out in the secondary chamber within 2 minutes, open the door. Keep the door open until the combustion increases. Repeat the closing as mentioned above.
- 4.7. For further firing — see point 4.3 and then you have got a continuous process.
- 4.8. In case you do not wish to continue the firing, the fire can be put out, either by letting the embers die out as normal or by closing the primary air valve.
- 4.9. Enamelled heaters must not be fired to the extent that they assume a red glow. The enamel may then be damaged.
- 4.10. During the first few times you use a new heater, the heater may become somewhat damp. In order to prevent this condensate from running down the face of the heater, open the door slightly during the first firing. As soon as the heater is warm, this condensate will evaporate and the door may be closed.
On enamelled heaters, this condensate should be wiped off **immediately** as it may permanently stain or pit the surface. **FOR YOUR SAFETY.** Follow these installation instructions. If this stove is not properly installed, a house fire may result.

SWEEPING AND MAINTENANCE

- 5.1. When wood burns, soot and creosote may develop and can, together with other incombustible particles, settle in the chimney and the chimney connector. If this deposit increases it will be necessary to have it removed. This ought to be done by sweeping the chimney and chimney connector regularly. The chimney and the chimney connector should be inspected at least twice a month during the heating season to determine if a creosote build-up has occurred and cleaned if necessary.

This stove is, however, designed to give a minimum of creosote buildup.

If the chimney and the chimney connector is not swept regularly, a chimney fire may develop. If a fire should erupt, the chimney should be inspected by professionals before it is taken into use again.

FOR YOUR SAFETY. Follow these installation instructions. If this stove is not properly installed, a house fire may result.

- 5.2. The room heater may burn continuously (day and night), even on small loads. Should pitch develop during such continuous burning, the heater should be fired intensely at regular intervals.
This repeated a few days in succession will burn away possible pitch.
- 5.3. To give the maximum amount of heat, the heater and the chimney connector should be swept regularly. When sweeping the chimney connector it may be convenient to disconnect the heater. The chimney connector must be cleaned in its full length to assure a safe removal of all soot and creosote which have condensed on the inner surfaces.
Be sure to install the chimney connector properly after sweeping and secure it with the screws.
- 5.4. The smoke outlet and the top of the secondary chamber can be swept by removing the top plate.
- 5.5. Disposal of ashes.
Ashes should be placed in a metal container with a tight fitting lid. The closed container of ashes should be placed on a noncombustible floor or on the ground, well away from all combustible materials, pending final disposal. If the ashes are disposed of by burial in soil or otherwise locally dispersed, they should be retained in the closed container until all cinders have thoroughly cooled.
- 5.6. Maintenance.
Cleaning of the glass.
With rear and side flue outlets, remove the top plate. With top flue outlet, open the door, and remove the upper front cover by unscrewing the two screws. Pull the upper front cover forward, and lift it up to release the hinge bracket.
The glass is cleaned by using e.g. a rag.
The stand-up firebricks in the primary chamber are retained in position by the bottom grate. The firebricks are released by removing the grate.
We recommend that you inspect your heater whenever sweeping is performed. Check all visible surfaces for cracks. Inspect the joints for visible leaks and check the gasket in the door and on the top lid. Loose gasket may be fixed by applying some water glass (Sodium Silicate) in the slot.
If a mechanical failure is disclosed, please contact your local dealer.

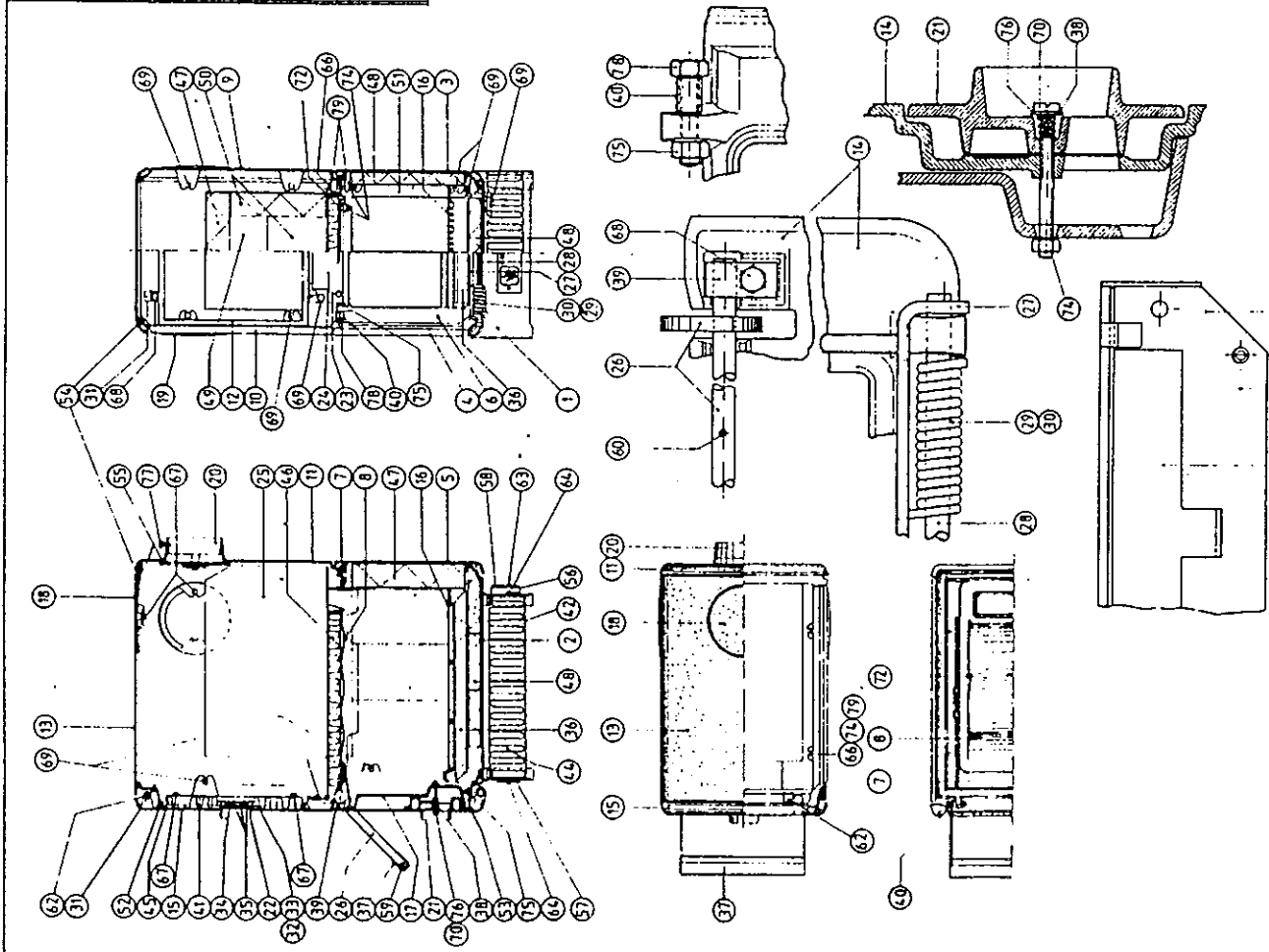


A/S Jøtul, Oslo, Norway

Imported by
JØTUL USA, INC.
343 Forest Avenue P.O.Box 1157
Portland, Maine 04104

Cat. no. 12 55 31

Moklegaard



Pcs. no.	CATALOG STOCK		DESCRIPTION
	B. seroath	B. seramet	
1	101764	101807	Base
2	101738	101792	Bottom plate
3	101739	101795	Lower side plate R
4	101740	101798	Lower side plate L
5	101753	101794	Lower back plate
6	101752	101793	Lower front plate
7	101762	101782	Shoulder plate
8	101781	101781	Shoulder plate cover
9	101837	101840	Upside plate R
10	101838	101841	Upside plate L
11	101759	101796	Upper back plate
12	101758	101797	Upper front plate
13	101739	101842	Top plate
14	101754	101802	Basic Door
15	101760	101803	Front cover
16	101757	101757	Bottom grate
17	101826	101826	Cover for basic door
18	101766	101804	Smoke hole cover

Pcs. no.	CATALOG STOCK		DESCRIPTION
	B. seroath	B. seramet	
19	101767	101805	Smoke hole cover with Logo
20	101765	101806	Smoke outlet
21	101827	101828	Draft regulator
22	151467	151467	Secondary air inlet complete
23	151391	151391	Secondary air inlet
24	151392	151392	Secondary air damper
25	151406	151406	Basic door handle complete
26	151389	151389	Door hinge
27	151390	151390	Door hinge axle
28	125469	125469	Right door spring
29	125470	125470	Left door spring
30	125471	125471	Front cover hinge bracket
31	125462	125462	Glass ring flange
32	151409	151409	Glass
33	141015	141015	Glass ring gasket
34	125502	125502	Ash drawer
35	125504	125504	Door handle
36	125517	125517	Draft regulator spring
37	125472	125472	Door axle bracket
38	120120	120120	Door lock casing
39	120206	120206	Front cover insulation cassette
40	125499	125499	Base insulation cassette
41	151430	151430	Base insulation
42	125530	125530	Front cover insulation
43	125498	125498	Shoulder plate insulation
44	125507	125507	Firebrick 230 x 114 x 50 mm
45	141013	141013	Firebrick 230 x 114 x 25 mm
46	141014	141014	Firebrick 205 x 114 x 50 mm
47	125486	125486	Firebrick 230 x 106 x 50 mm
48	125487	125487	Gasket Ø 14" x 1225 mm Al.al.
49	125495	125495	Gasket Ø 14" x 1025 mm Al.al.
50	125521	125521	Gasket Ø 36" x 1420 mm Al.al.
51	125510	125510	Gasket Ø 4" x 410 mm Al.al.ikat
52	125473	125473	Bracket for marking plates
53	125474	125474	UL and clearance plate
54	125316	125316	Caution-sign plate
55	125511	125511	UL and clearance plate
56	124781	124781	Handle pin steel 5 x 22 DIN 1481
57	125512	125512	3 x 24 mm Hinge pin
58	117059	117059	Nail ALU 2.4 x 4 mm
59	117123	117123	Nail Steel 3 x 15 mm
60	100002	100002	Screw hex.h. steel M6 x 25 DIN 558
61	117087	117087	Screw hex.h. steel M6 x 30 DIN 558
62	117093	117093	Screw hex.h. steel M6 x 12 DIN 558
63	117093	117093	Screw hex.h. steel M6 x 20 DIN 558
64	117093	117093	Screw cyl.h. steel M6 x 55 DIN 94
65	117093	117093	Screw cyl.h. steel M6 x 10 DIN 94
66	117093	117093	Screw cyl.h. steel M6 x 10 DIN 94
67	117093	117093	Screw cyl.h. steel M6 x 10 DIN 94
68	117093	117093	Screw cyl.h. steel M6 x 10 DIN 94
69	117093	117093	Screw cyl.h. steel M6 x 10 DIN 94
70	117093	117093	Screw cyl.h. steel M6 x 10 DIN 94
71	117093	117093	Screw cyl.h. steel M6 x 10 DIN 94
72	117093	117093	Screw cyl.h. steel M6 x 10 DIN 94
73	117093	117093	Screw cyl.h. steel M6 x 10 DIN 94
74	117093	117093	Screw cyl.h. steel M6 x 10 DIN 94
75	117093	117093	Screw cyl.h. steel M6 x 10 DIN 94
76	117093	117093	Screw cyl.h. steel M6 x 10 DIN 94
77	117093	117093	Screw cyl.h. steel M6 x 10 DIN 94
78	117093	117093	Screw cyl.h. steel M6 x 10 DIN 94
79	117093	117093	Screw cyl.h. steel M6 x 10 DIN 94

a JÖTUL
 Teknik Management A. S. Aar

June 1982

Woodstove 201

LIST OF ITEMS

BULLETIN



OPERATING INSTRUCTIONS FOR JØTUL 201

PLEASE READ THESE INSTRUCTIONS FIRST BEFORE USING YOUR JØTUL 201

STEP 1.

Place a small pile of loose dry paper, kindling and small splits of wood on the grate. Ignite the paper and close door. Fully open draft regulator. Re-open door and allow it to remain ajar slightly at the top, approximately one inch.

STEP 2.

After the kindling and wood have burned down to charcoal and the stove is hot, the stove may be refueled with normal-sized pieces of wood. To add fuel, level embers on grate and add the fuel. Close the door partially, as described in Step 1. Allow the fire to burn hot for 10 - 15 minutes before closing door and slowly opening the secondary air supply by depressing the handle to its fullest extent. Should the stove smoke or require a longer start up period than described, your chimney system may be inadequate. Normal draft conditions for solid fuel appliances is between .04 and .08 inches of water. If you suspect a draft problem, consult your Jøtul dealer.

STEP 3.

After the fuel is burning intensely, and the secondary combustion fire is burning well, the primary draft regulator may be adjusted slowly to the desired position. Do not reduce to such an extent that the flaming in the secondary chamber is extinguished.

STEP 4.

After a period of time, anywhere from thirty minutes to an hour, the flaming in the upper chamber will stop. This means that the gaseous fuel in the wood has been burned and only charcoal remains as fuel.

STEP 5.

When refueling, follow the same procedures as described above. The time required for this step will be much less, however, because the stove is hot which is a prime requisite for this stove to operate properly.