

Installation and users instructions

# JØTUL 2000



  
JØTUL

## 1. General Information

The Jøtul Betha 2000 is made of cast iron and designed to burn solid wood fuel. 1.1 When installing, operating and maintaining a solid fuel heater respect basic standards of fire safety. Read these instructions carefully before beginning the installation. Failure to do so may result in damage to persons and property. Consult your local municipal office and insurance representative to determine what regulations are in force in your area. Save these instructions for future reference.

## 2. Minimum Clearances to Combustibles

Front	1200mm (48 inches)
Sides (top vent)	610mm (24 inches)
Rear (top vent)	610mm (24 inches)
with heat shield	255mm (10 inches)
Flue Pipe	450mm (18 inches)

when installed at 45° across a corner a minimum clearance of 610mm (24 inches) is required - with heat shield 270mm (10-1/2 inches).

For safety, and to avoid drafts, avoid locations close to an exit.

## 3. Floor Protection

When installing this heater on a combustible floor, a floor protector consisting of a layer of noncombustible material at least 3/8 inch thick or 1/4 inch thick covered with sheet metal over an insulating pad 305mm wide by 405mm deep by 6mm thick is required to cover the area under the heater, and extending to at least 18 inches at the front and 8 inches to the side and rear of the appliance. A similarly sized ULC labelled floor protector may be used as an alternate.

## 4. Chimney

The stove must be connected to a 650°C. Underwriter's Laboratories of Canada Labelled Factory Built Chimney, installed in accordance with the manufacturer's instructions or a Lined Masonry Chimney, constructed in accordance with the National Building Code. An existing masonry chimney should be inspected and, if necessary, repaired by a competent mason. The chimney serving the stove should not serve any other appliances; if you intend to use a fireplace chimney the fireplace damper opening must be sealed. See section of these instructions pertaining to the methods used to make a positive connection to the damper area of the fireplace chimney. The overall height of the chimney measured from the floor on which the stove is installed must be at least 15 feet. Do not use more than two elbows.

Single wall stovepipe used to connect the stove to the chimney must be installed with the crimped or smaller ends facing toward the stove. This will ensure that condensing moisture from the burning wood will flow back into the fire chamber. Each joint in the stove pipe must be secured with at least 3 sheet metal screws.

**SINGLE WALL STOVE MUST NOT PENETRATE COMBUSTIBLE WALLS OR CEILINGS.**

## 5. Operating Instructions

Burn solid wood only as fuel. Do not burn charcoal, synthetic logs or other fuels. Do not use flammable liquids or starting aids. Do not overfire. If the single wall stovepipe glows you are overfiring. Do not store combustible material within the specified clearances. This heater is hot while in operation. Keep children, clothings and furniture away from heater. **DO NOT OPERATE STOVE WITH BROKEN GLASS.** Replacement glass should only be ceramic glass 4 mm in thickness obtainable from your Jøtul dealer. (Note: Improper Substitutions may be Hazardous.)

## 6. Maintenance

Inspect the chimney flue weekly until a safe frequency is established. The burning of wood, particularly if it is not seasoned, may cause a buildup of creosote; should this creosote become ignited an extremely hot chimney fire can result.

The product of creosote may be reduced by burning small brisk fires and avoiding the use of slow burning green or unseasoned wood.

## 7. Lighting

To start a fire in the Jøtul Betha 2000 crumple clean dry newspaper in a quantity enough to cover the hearth of the stove. Place small splits of dry kindling or dry wood randomly over the paper and light. Close the door just until it catches under the catalytic bypass damper control. Leave the door slightly open for 5 to 8 minutes until all kindling is black and the smaller pieces are reduced to glowing coals. Add 3 to 4 small to medium sized pieces, close the door until it catches the damper bypass control and wait several minutes before closing the door fully. Set the air inlet slide to the fully open position. When this loading has formed a bed of coals, add normal pieces of fuel and adjust the air intake slide for desired heat output.

## 8. Disposal of Ashes

Remove ashes carefully. Place them in a metal container with a tightly fitted lid and place the container on a noncombustible floor away from combustible material until they have cooled.

## 9. Fire Safety

To provide reasonable fire safety, the following should be given serious consideration:

1. The installation of smoke detectors.
2. A conveniently located Class A fire extinguisher to contend with small fires resulting from burning embers.
3. A practiced evacuation plan.
4. A plan to deal with a chimney fire as follows: **IN THE EVENT OF A CHIMNEY FIRE.**
  - a. Notify the fire department.
  - b. Prepare occupants for immediate evacuation.
  - c. Close all openings to the stove.
  - d. While awaiting fire department, watch for ignition of adjacent combustibles from overheated stovepipe or hot embers or sparks from the chimney.

## 10. The Masonry Fireplace Installation

When installing the Jøtul Betha 2000 into a fireplace flue the following methods must be used:

1. A positive connection must be made between the fireplace damper area and the chimney flue through which the stove pipe passes, making the connection between the chimney flue and the outlet of the stove. The positive connection plate consists of two pieces:
  - a. A noncombustible insulation board.
  - b. A piece of 22 gauge sheet metal or heavier metal.

Measure the area of the damper and cut both the rigid insulation board and the sheet metal to size. Next cut 7 inch diameter hole in both sheet metal plate and rigid insulation board at an opening through which the stove-pipe may pass. Afix sheet metal and insulation board over the opening of the damper and seal with refractory cement along all edges of the plates. Seal the joint around stovepipe with gasket material and refractory cement.

Where combustible trim is fitted to the fireplace opening at a distance of less than 30 inches from the stove the Jøtul Fireplace Shield must be used.\*

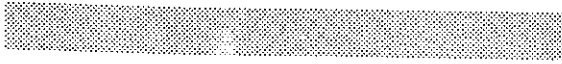
2. Where the hearth is of inadequate size combustible flooring within 18 inches to the front of the stove and 8 inches to the sides must be protected (see Floor Protection).

For safest and best performance of your stove, remember:

1. PROPER INSTALLATION
2. PROPER OPERATION
3. PROPER MAINTENANCE (of the flue system and stove).

**NEVER OPERATE STOVE UNDER 250°F (125°C). USE A FLUEGAS (STOVE) THERMOMETER ALL THE TIME.**

# Contents:

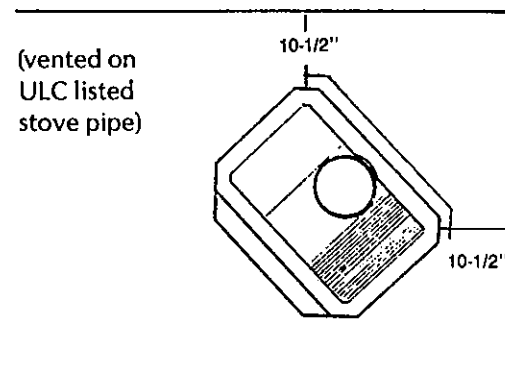
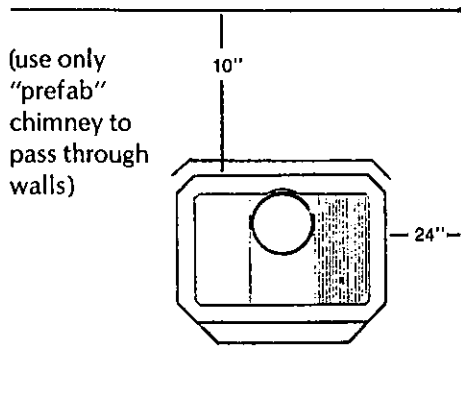
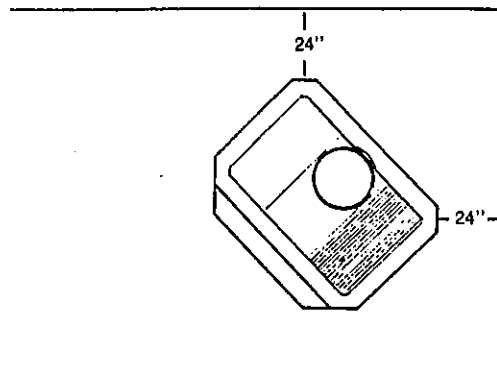
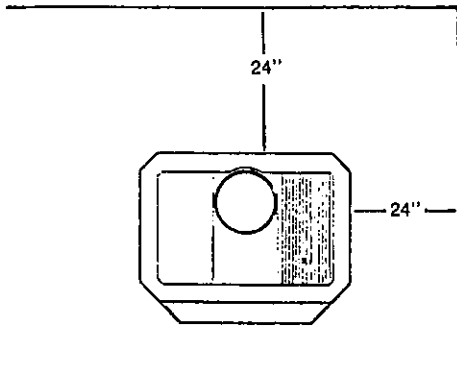


<b>Get acquainted with Jøtul 2000</b>	<b>3</b>
Jøtul 2000 will give you much comfort and heat, especially if you use it in accordance with this instruction manual. Please note the importance of "breaking in" the stove gradually when it is new.	
<b>Operating the stove</b>	<b>4</b>
Short description of the operating handles.	
<b>Caution fire!</b>	<b>4</b>
Avoid fire and damage by following a few simple rules.	
<b>Building a fire</b>	<b>5</b>
Do it right. That will give you more heat, less stain on the glass door and cleaner smoke from the chimney. Advice on what to burn in the stove on page 6.	
<b>Add wood</b>	<b>5</b>
<b>What kind of fuel?</b>	<b>6</b>
<b>Wood storage</b>	<b>6</b>
<b>Mounting the flue</b>	<b>7</b>
Pay attention to the local fire regulations when installing. That will prevent insurance problems in case of fire.	
<b>Technical data and accessories</b>	<b>8</b>
Ash removal equipment and spark guard are accessories that can be purchased later.	
<b>Chimney fire</b>	<b>8</b>
can be avoided by keeping the chimney free of soot. Should a chimney fire occur it is important to know what to do and what <b>not</b> to do.	

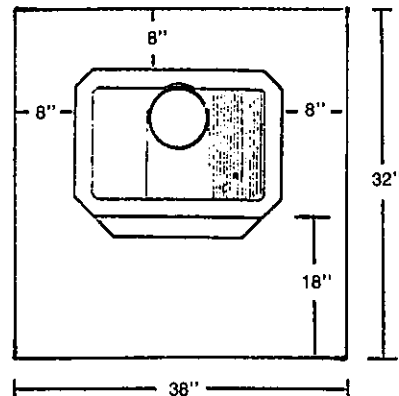
# SPECIAL INSTALLATION CLEARANCES FOR CANADA

(Minimum Clearances to Combustibles)

This sheet replaces clearances indicated in the JØTUL BETHA 2000 Installation and Operations manual.



Floor Protection



## Minimum Clearances to Combustibles

Front	1200mm (48 inches)
Sides (top vent)	610mm (24 inches)
Rear (top vent)	610mm (24 inches)
with heat shield	255mm (10 inches)
Flue Pipe	450mm (18 inches)

When installed at 45° across a corner a minimum clearance of 610mm (24 inches) is required.

SAVE THESE INSTRUCTIONS FOR FUTURE REFERENCE

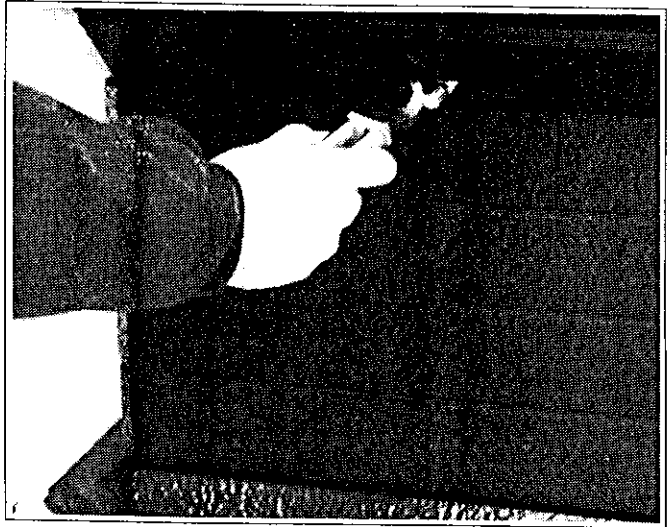
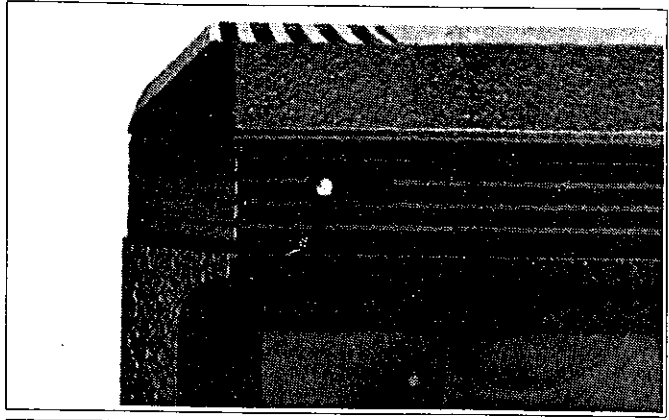
# Operating the stove

Controlling the draught. The draught control can be moved sideways to adjust the draught and hence the combustion.

Fully right: Fully open  
Fully left: Closed

**Caution! The draught control may be hot!**

Vent for underneath draught. To be used when lighting the fire under particularly difficult draught conditions. To be used together with the vent for top draught.



## Caution fire!

Use of fire in the house represents a certain danger, and with intense overfiring, temperatures on certain parts of the stove can be high. Please comply with the following warnings:

**Never overfire the stove.** If any part of the flue glows, you are overfiring. Under unfavourable conditions a house fire or serious damage to the chimney could result. **Immediately close down the draught control if you notice this condition.**

**Don't touch!** Parts of the stove have double walls and consequently will not become excessively hot. Nevertheless, teach the children that the stove is hot and is not to be touched.

**Inflammable liquids.** Never use gasoline, lantern oil, or similar liquids to start or "freshen up" a fire in the stove. They can ignite with explosive force causing bodily injury or death. **Keep all such liquids far away from the stove while it is in use.**

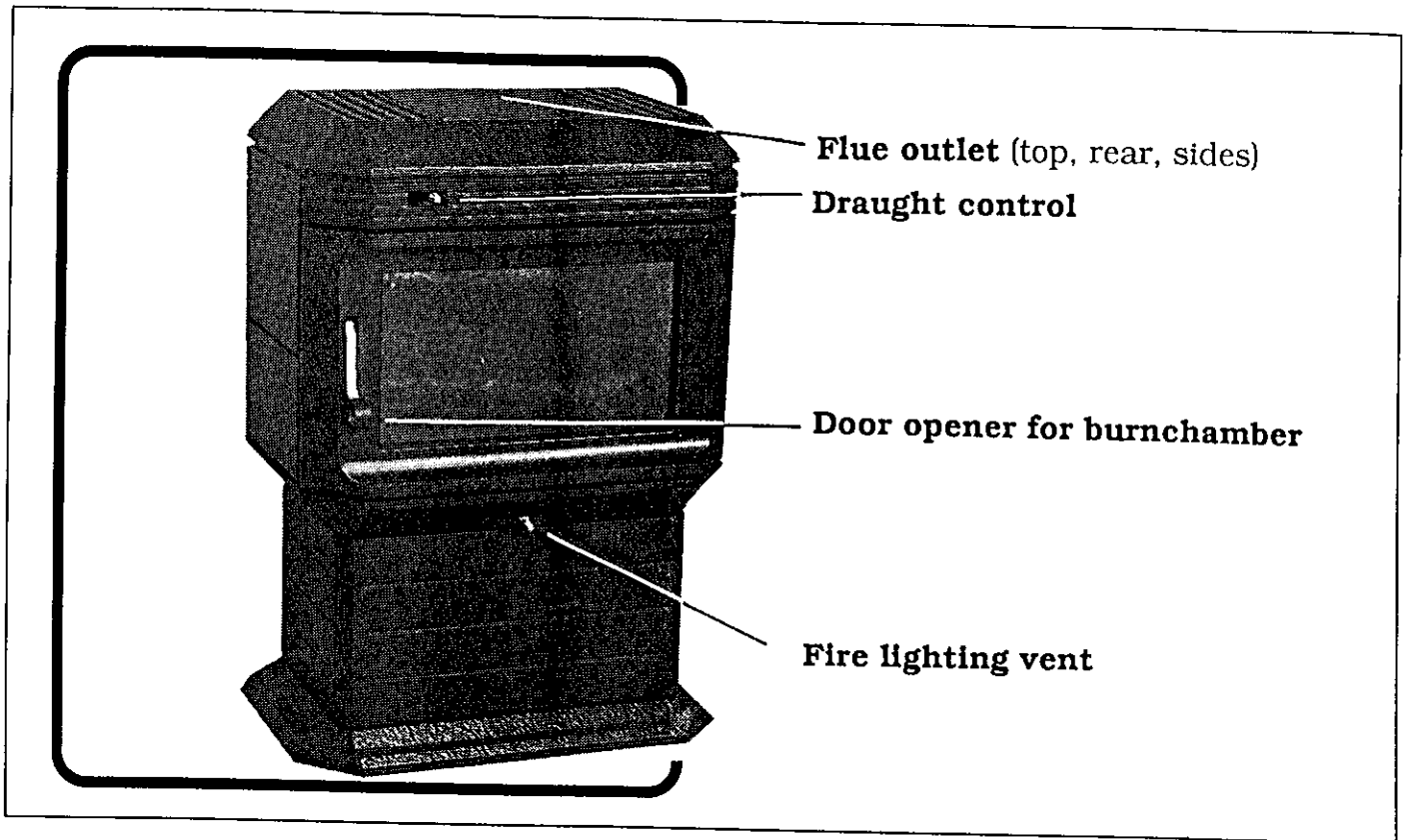
**Combustible gases.** Never use the stove if there are combustible gases in the house. Examples of combustible gases are the fumes from certain cleaning liquids, adhesives, and paints. **Remember, the operating stove is a source of "open flame", even if the door is closed!**

**Broken glass.** Never operate the stove with cracked or broken glass. **Replace damaged glass with ceramic glass 4 mm thick.** (Can be purchased from your dealer).

**Other combustible materials.** Keep combustible materials at a safe distance from the stove, and never place anything combustible on the grid shelves on top of the stove.

**Clothes drying.** Do not dry clothes over the stove as they could fall down onto the stove and ignite.

# Get acquainted with Jøtul 2000



## Efficient source of heat creating a warm atmosphere

The large glass load door creates the illusion of an open fireplace and provides the advantage of an efficient heating source. Because the combustion air enters at the top of the stove, it sweeps down the glass keeping it cleaner with less stain at normal firing.

From the cavities between the burnchamber and the outer shell the warm air exits through the grid shelves on top of the stove. This occurs through natural circulation and gives a more comfortable heat.

## Starting to use the stove

### Breaking it in

A cast iron stove should be "broken in" much the same way as a new car: gradually. It is mandatory that a number of consecutive small fires be built in the stove prior to operating the stove continuously. Each fire should be a little larger than the previous one, and the last fire should be a full sized load. Allow the stove to cool completely between fires. Retain the ashes from your "break-in" fires. This is important in order to insulate the bottom of the stove so that it does not "eat" all the fire when you light the stove. Do not start your break in fires until you have finished reading this manual.

*Jøtul has been making cast iron stoves since 1853 and is the world's largest manufacturer of solid fuel burning appliances. Your new Jøtul stove has inherited the benefits learned from over 125 years of producing stoves. With proper care and operation your new Jøtul stove should last many years.*

# Building a fire

is like anything else. It is easy if you know how to do it and have the right materials.

Some people are experts in building a fire and find it unnecessary to read about it. Others do not find it so easy. They are the ones for whom we have prepared this instruction. But also the experienced fire builder will benefit from this instruction - because Jøtul 2000 is a special stove.

## Why so important to do it right?

- Higher heating efficiency
- Less soot on the glass door
- A more stable fire requiring less attention
- Less air pollution

## What is most important to watch?

- Get the fire started in a way that quickly makes the glass hot and forms a good bed of coals.
- Always keep some ashes in the bottom of the stove.
- Use seasoned and dried wood.
- Adjust the draught correctly.
- Leave the door open.

# Add wood

You can now add 3 to 4 small to medium sized pieces of wood. Try to stack the wood with spaces in between. Allow it to burn like this for several minutes before closing the load door and opening the draught control fully.

You are now at a critical stage. Until now large amounts of air have been flowing between the glass and the fire, and the glass has stayed clear since the smoke has been prevented from touching it. There may be a small stain on the lower right corner of the glass caused by air currents while the door was slightly open.

The air flow between the glass and the fire now comes from the top of the stove and falls all across the glass. However, the amount of air is greatly reduced, and the risk of staining the glass is great.

First of all, the smoke won't deposit on a hot glass. That's why the kindling fire should be strong. For the same reason the wood, which is cold, should be placed as far as possible away from the glass.

## A good start

Open the load door and cover the bottom of the stove with tightly crumpled newspaper. Criss-cross a generous double handful of kindling on top of the paper. Don't skimp on the kindling, its role is very important. Split scrap lumber or your best wood into 1 cm thick sticks.

Light the paper evenly across the front and close the door just until you see there is a good fire in the stove.

## The kindling fire serves many purposes

- Get the draught established
- Heat the glass to prevent it being stained
- Form a bed of coals. This is very important and is the reason for using plenty of kindling. You don't want the kindling to be gone until your fire is established.

Leave the load door cracked open for about 10 minutes or long enough for the smaller pieces of the kindling to have been reduced to glowing coals.

## Does the fire die when you close the door?

If the stove furthermore fills with smoke; then you have not allowed the wood to catch on well enough. It could be that you have not used enough kindling, used pieces that are too large or simply rushed things. It is perfectly normal for the fire to slow down when you close the door. But if the stove fills with smoke, you must open the door again and allow more time for the fire to develop.

## You're about to become an expert

If you have made it to this point, you are well on your way to become an expert. You may experience a little staining on the glass in the next few minutes until the stove gets good and hot. If the glass gets very dirty, it may indicate that the wood is green or that the chimney is not providing a strong enough draught. If you suspect a problem with your chimney, seek advice from your dealer.

## Add wood as required

After perhaps half an hour the wood in the stove will be forming a bed of coals a few centimeters deep and the heat from the fire will be baking off any stains on the glass which formed earlier. You can now add as much wood as you need. With practice you will learn how to adjust your loads to give the best performance. In general, it is much better to burn small loads fairly quickly than to burn a big load slowly.

When you have placed your load on the coals, you may want to give it a few minutes with the door cracked to catch on. Again, it will depend on how good your coal bed is and how dry your wood.

## Adjusting the draught

Until now, we've been operating the stove with the draught fully open. Now, you can cut down on the draught. The more you move the draught control to the left, the slower the stove will burn.

If you are planning to reduce the combustion significantly, it is better to cut it back in steps rather than all at once.

At minimum draught setting the amount of air entering the stove will be so small that it may be difficult to keep the glass clean. As long as there is a good bed of coals in the stove, it is possible to return to a hot fire and the stained glass will clean itself.

## Lower draught control

In particularly unfavourable draught conditions the supply of air through the lower draught control will be of good help. It will make sure the stove is ensured sufficient oxygen so that the fire will stay alive until a good enough draught has been established in the chimney. By moving the handle to the right you open for more air.

The use of this control must be adapted to each individual installation.

*You can continue to operate the stove for as long as you like with little attention, provided you maintain a good bed of coals, allow your new loads to catch on well, and gradually decrease the draught.*

# What kind of fuel?

This stove is designed to burn natural wood. Use seasoned and dry wood.

### Do not burn:

- plastic
- garbage
- solvents or other combustible liquids
- treated or painted wood
- trash

Never use gasoline, kerosene, lantern fuel, or similar liquids to start or "freshen up" the fire. Keep all such liquids away from the stove when in use.

# Wood storage

When wood is stored outside, it should be covered from rain and stored off the ground. Make certain that the woodpile has good air circulation through it in order to promote drying to aid in the seasoning process.

To obtain the most benefit from the wood you burn, use only seasoned wood which has been cut and split for at least one year. Burning unseasoned or wet wood causes rapid development of creosote, while reducing the value of the wood being burned.



# Mounting the flue

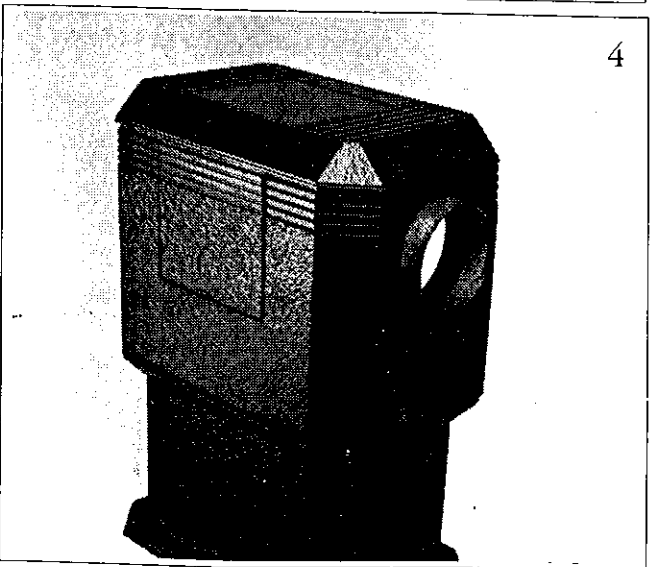
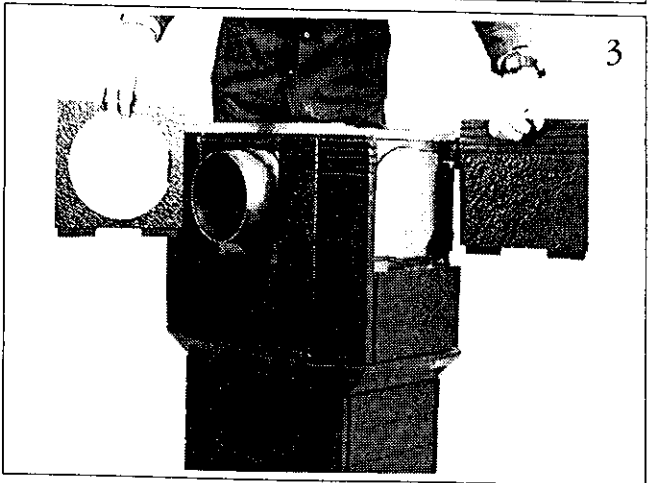
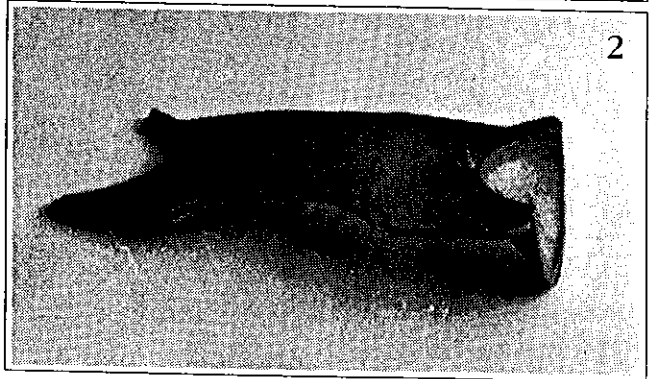
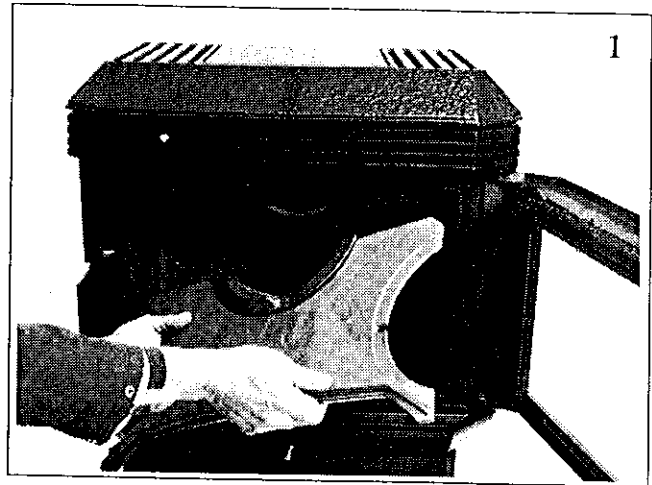
Jøtul 2000 has flue outlets on the top, sides and at the rear. The flue outlet openings are Ø 175 mm. From the factory the stove is delivered ready for rear mounting. If you want a flue connection on the top or at the sides, please note the following procedure:

## Flue outlet side

1. Lift the baffle plate out of the burnchamber. (Photo 1).
2. Loosen the rounded part at the rear of the baffle plate and fasten it to the side of the baffle plate where the flue outlet is to be placed. (Photo 2).
3. Remove the top plate.
4. Remove the cover of the rear and side plates. (Photo 3).
5. Flue outlet cover and spigot change places. (Both are fastened with 2 screws).
6. Fasten the cover with holes to the spigot.
7. Replace the cover at the rear wall.
8. Replace the baffle plate in the burnchamber.
9. Replace the top plate. (Photo 4)

## Flue outlet top

1. Remove the top plate  
Also remove the cover (with holes) from the rear wall.
2. Flue outlet cover and spigot are each fastened with two screws. Loosen these and let the spigot and cover change places. Make sure the gaskets are included.
3. Cover with holes change places with cover of top plate.
4. Replace the top plate.



---

# Accessories

The following accessories can be supplied for Jøtul 2000:

- **Spark guard.** This can easily be mounted when you have removed the load door.

- **Ash handling equipment**

Ash bucket can be connected to the product by removing the cover at the bottom of the burn-chamber.

---

# Chimney fire

## Why does it occur?

When wood is burned slowly, it produces tar and other organic vapours which combine with expelled moisture to form creosote.

These creosote vapours condense in the relatively cool chimney flue of a slow-burning fire.

The creosote that accumulates in the flue is highly flammable and is likely to cause chimney fires. To prevent a chimney fire, the creosote needs to be removed by sweeping the chimney and flue connector. An accumulation of 1/4" or more on the sides of the flue or connector is considered hazardous and should be removed.

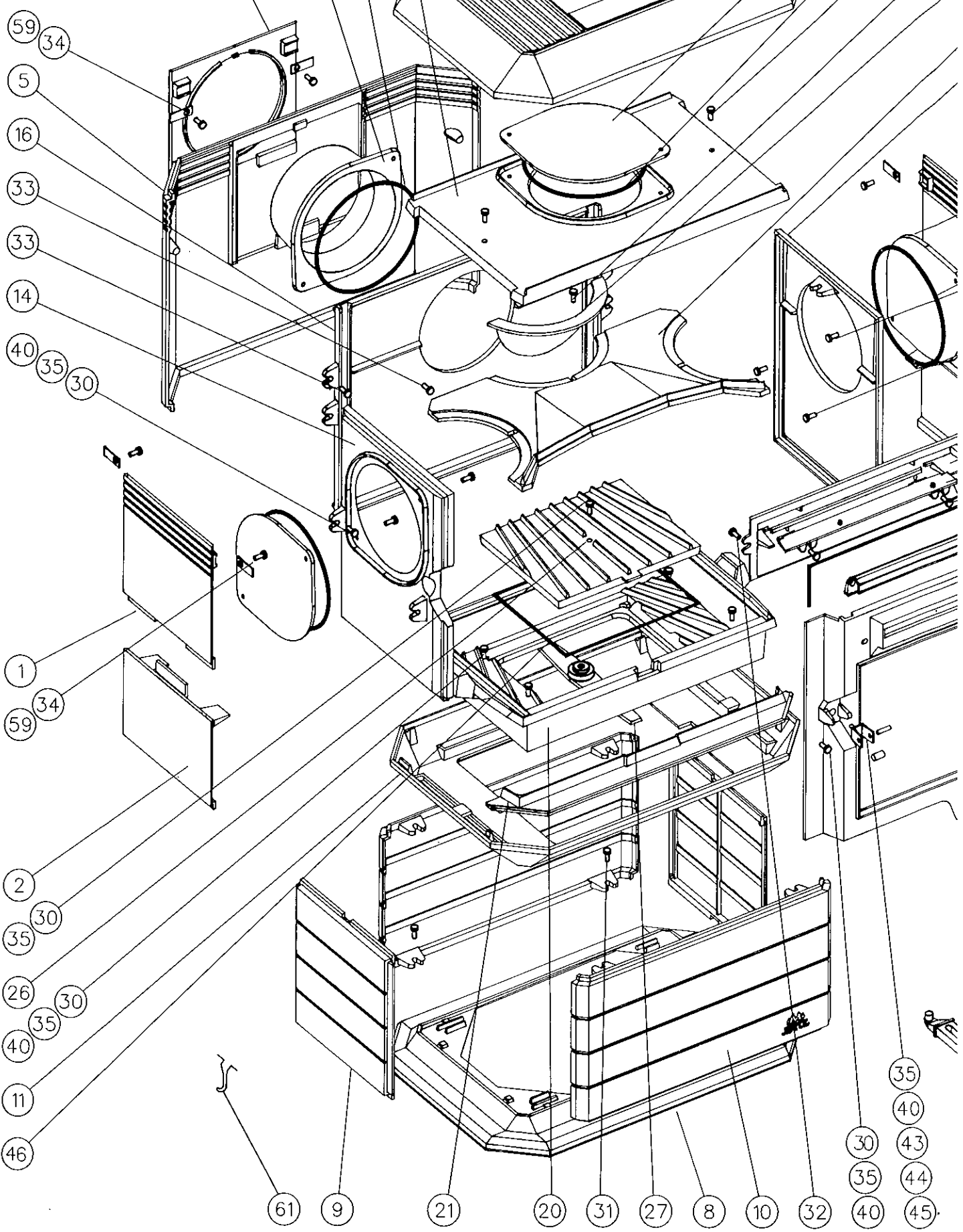
## How to detect a chimney fire

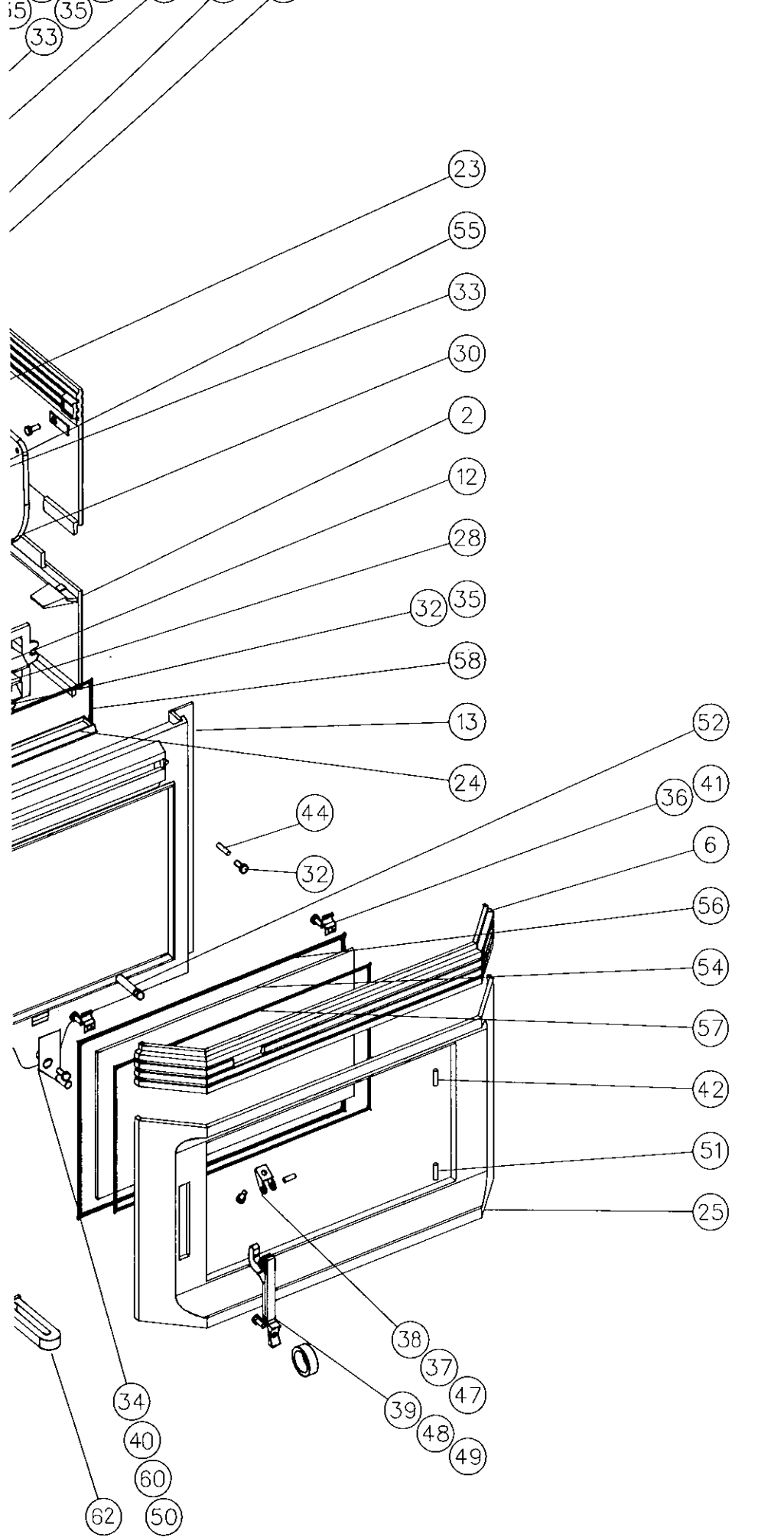
In the event that creosote in your chimney or flue connector ignites, the resulting fire is often accompanied by roaring noise and crackling sound as

flakes of burned creosote break loose. If you suspect you are having a chimney fire immediately close the draught regulator and make sure the door is closed. Call the fire department.

Trying to extinguish the fire in the stove will not help: In fact, it can make matter worse by allowing oxygen through the door, which then supports the fire in the chimney. When the roaring and crackling has stopped, you should resist the temptation to open the door and look at the fire. The fire may have suffocated but could rekindle when you open the door.

After a chimney fire, do not use your stove until the chimney and the flue connector have been cleaned and inspected to ensure that no damage has been sustained.





	350187	350188	BEIHA
1	102665	102666	Cover plate, tract
2	102668	102669	Side plate, surro
3	102671	102672	Cover plate
4	102674	102675	Cover plate w/ho
5	102677	102678	Rear plate, surro
6	102680	102681	Front panel
7	102683	102684	Top surround
8	102686	102687	Bottom plate, pec
9	102689	102690	Side plate, pædes
10	102692	102693	Front- and rear-p
11	102695	102696	Shoulder plate
12	102698	102698	Air deflector
13	102699	102699	Burnchamber, frc
14	102700	102700	Burnchamber, lel
15	102701	102701	Burnchamber, riç
16	102702	102702	Burnchamber, rei
17	102703	102703	Burnchamber, top
18	102704	102704	Baffle
19	102705	102705	Part for baffle
20	102706	102706	Grate surround
21	102707	102708	Ash retainer
22	102710	102710	Smoke outlet
23	102713	102713	Burnchamber, co
24	102714	102714	Slider of primary
25	102722	102733	Door
26	102383	102383	Bottom cover
27	101861	101861	Travers
28	102773	102773	Support rib.
30	117139	117139	Screw, hex. heac
31	117099	117099	Screw, hex. heac
32	117117	117117	Screw, hex. heac
33	117118	117118	Screw, hex. heac
34	117129	117129	Screw, hex. heac
35	116832	116832	Nut, M6 DIN 934
36	117505	117505	Screw, pan head
37	117551	117551	Headless screw
38	117726	117726	Allen screw SH A
39	117734	117734	Lens sink head s
40	120004	120004	Washer Ø18 x Ø6
41	125753	125753	Clips for glass
42	125960	125960	Hinge pin Ø6
43	126108	126108	Bracket for door l
44	126109	126109	Casing for door l
45	126110	126110	Pin for door latch
46	126115	126115	Gasket for bottom
47	126322	126322	Hinge ear
48	126988	126988	Handle
49	126989	126989	Door latch
50	126967	126967	Spring for lower
51	126975	126975	Lower hinge pin
52	126940	126940	Slider rod
54	126950	126950	Glass
55	126951	126951	Gasket for smoke
56	126952	126952	Gasket 8,6 x 1330
57	126953	126953	Gasket 4,7 x 1290
58	126954	126954	Gasket 4,7 x 540
59	126959	126959	Clamping iron
60	152508	152508	Lower vent
61	126429	126429	Hook for handle
62	126802	126802	Handle
	350196	350196	Spark arrester

	Try Maklegaard.
	FEBRUAR
PART LIST	BET