



OM-Lem
8/9/84

INSTALLATION, OPERATION AND MAINTENANCE
MANUAL FOR
LEMARQUIS WOOD/COAL STOVE

389 John Downey Drive/New Britain, CT 06051/(203) 229-4772
Outside Connecticut, Toll-free 1-800-243-0522/Telex #643292

TABLE OF CONTENTS

HERE IS YOUR WOOD STOVE	2
INSTALLATION	3
THIMBLES & THE CHIMNEY	4 & 5
STOVE PIPE TO CHIMNEY	6
USE OF THE STOVE KEY	7
LIGHTING YOUR STOVE	8 & 9
BREAKING IN YOUR STOVE	10
STOVE MAINTENANCE	11
HEATING WITH WOOD	12
CARE	13
DRAFT FACTORS	14
WARRANTY	15

SAFETY NOTICE: IF THIS SURDIAC LEMARQUIS WOOD STOVE IS NOT PROPERLY INSTALLED, A HOUSE FIRE MAY RESULT. FOR YOUR SAFETY, FOLLOW THE INSTALLATION DIRECTIONS. CONTACT LOCAL BUILDING OR FIRE OFFICIALS ABOUT RESTRICTIONS AND INSTALLATION INSPECTION IN YOUR AREA.

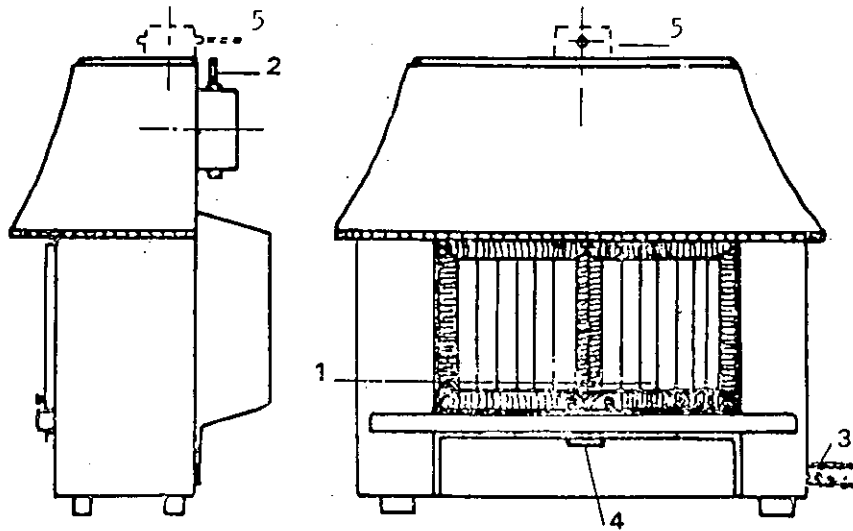
NOTE: THIS STOVE IS NOT APPROVED FOR USE IN MOBILE HOMES.

NOTE: USE OF ALUMINUM TYPE B GAS VENT FOR SOLID FUELS IS UNSAFE AND PROHIBITED BY THE NATIONAL FIRE PROTECTION ASSOCIATION CODE.

NOTE: KEEP ALL HOUSEHOLD FURNISHINGS AT A CONSIDERABLE DISTANCE AWAY FROM THE STOVE.

HERE IS YOUR WOOD STOVE

LEMARQUIS



1. Loading-doors
2. Damper
3. Handle of the air-intake
4. Ash-tray door
5. Top vent, flue outlet location

Rating and heating capacity:

Rating Btu/h : 51,200 to 60,000
Heating capacity cu. ft.: 14,800 to 17,400

Firing:

Dry hard wood logs (maximum length 24")

Note:

The heating capacity for any woodburning unit is directly affected by such factors as:

1. Fuel: a) type of wood burned b) moisture content c) seasoning of the wood d) appropriate storage of the fuel
2. Area heated: a) air infiltration of the home b) heat loss factors c) stove location and installation
3. Operational: a) proper stove maintenance and care b) properly set and consistent draft

INSTALLATION

We recommend that your wood stove be installed in your home by a qualified person and that you carefully read this notice.

The floor beneath the unit must be covered with $\frac{3}{4}$ " thick asbestos millboard or equivalent. The non-combustible floor covering shall extend a minimum of 8" beyond the rear of the chimney connector; 8" beyond the sides of the unit and 20" beyond the front of the unit (Fig.1).

The minimum clearances to combustible materials are as follows (Fig. 2):

- A. 29" from back of chimney connector to the back wall.*
- B. 24" from side of stove to nearest side wall.

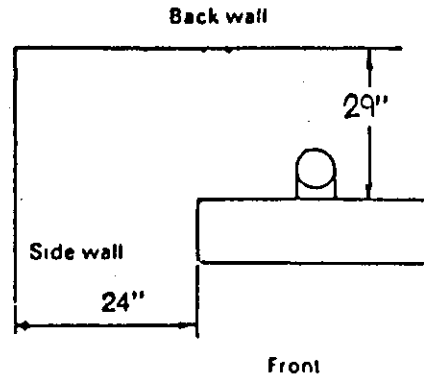
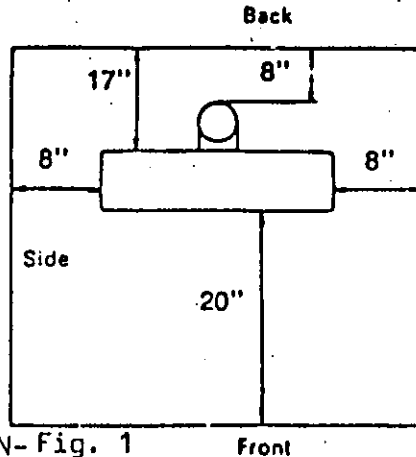


Fig. 2 -DISTANCES TO COMBUSTIBLES

FLOOR PROTECTION- Fig. 1

* An optional heat shield kit is available, allowing for reduced rear clearances of 9" with top venting.

DANGER!! FRONT LOADING DOOR(S) MUST BE CLOSED DURING OPERATION

CAUTION!

Hot while in operation.

Do not touch, keep children, clothing and furniture away.

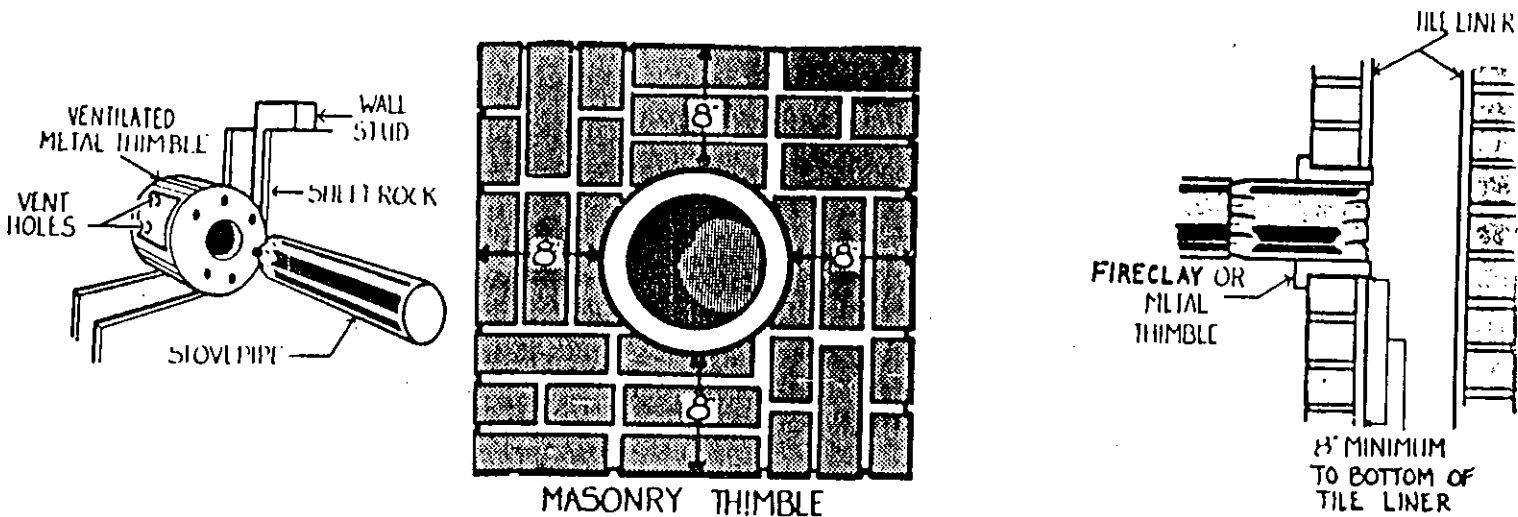
Contact may cause skin burns.

NOTE: Clearances may be reduced if walls are non-combustible. CONSULT YOUR LOCAL BUILDING CODES OR FIRE DEPARTMENT FOR AN ACCURATE DEFINITION OF A "NON-COMBUSTIBLE WALL" AND FOR CLEARANCES FROM THESE WALLS.

THIMBLES

A metal or fireclay thimble is used when passing a stovepipe through non-combustible walls or into a chimney. The thimble should be permanently cemented (with refractory cement) into the masonry and should extend through the chimney wall to the inner face of the liner, but not beyond. If possible, the stovepipe should extend into the thimble so the end of the stovepipe is flush with the inner end of the thimble. In many cases the inner diameter of the thimble will be too small to allow full penetration of the stovepipe into the thimble. In this case, the stovepipe should be inserted as far as possible and then securely fastened to the thimble. If it is necessary to pass a flue connection through a combustible interior or exterior wall, a horizontal section of prefabricated chimney installed according to the chimneys manufacturer's specifications can be used. A combustible wall may also be penetrated by a fireclay or metal thimble surrounded by solid masonry at least 8 inches on all sides, by a metal ventilated thimble at least 12 inches larger than the flue pipe or by removing all combustible material within 18 inches of the stovepipe. These wall penetrations should only be used when it is necessary to penetrate a chimney which is immediately in back of a combustible wall.

Stovepipe should never be used to penetrate a ceiling. A stovepipe may never pass through a ceiling, closet, or concealed area; for these areas a listed factory-made chimney is required. Once the stovepipe connects to a chimney, it must remain a chimney from that point on. No further use of stovepipe is allowed.

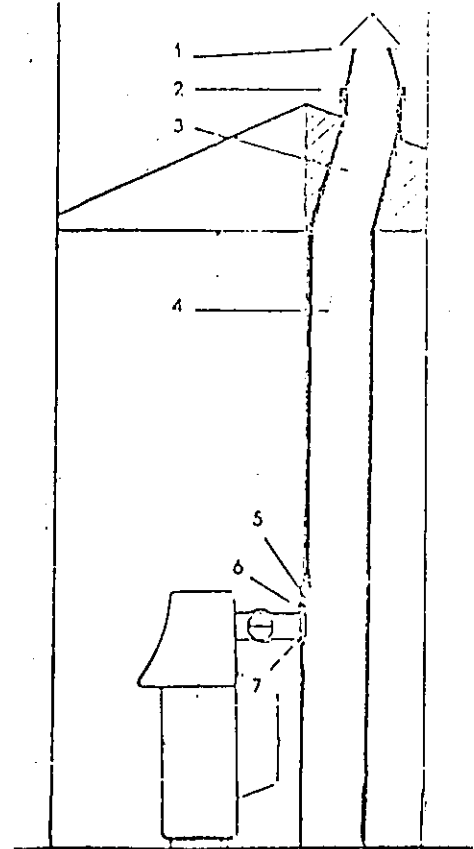


THE CHIMNEY

This stove should have its own chimney of a suitable height (approximately 15 ft.). All openings such as clean-out doors or flue openings on other floors should be sealed airtight.

Conditions for the proper function of the chimney section (Fig. 3).

1. The cap should be well ventilated.
2. In a masonry system, chimney reduction must be made gradually.
3. Elbows and offsets should be made clear and unrestricted.
4. The inside should be kept smooth and free of cracks.
5. Chimney thimble is to be tight.
6. The smoke pipe must be carefully sealed.
7. The smoke pipe is to be properly inserted into the correct depth and is not to protrude inside the chimney.
8. When using a manufactured chimney, it must be U.L. listed residential type heating appliance chimney system.



For additional information pertaining to draft, please refer to page 12.

A barometric damper must be installed to insure a stable draft and a consistent rate of combustion.

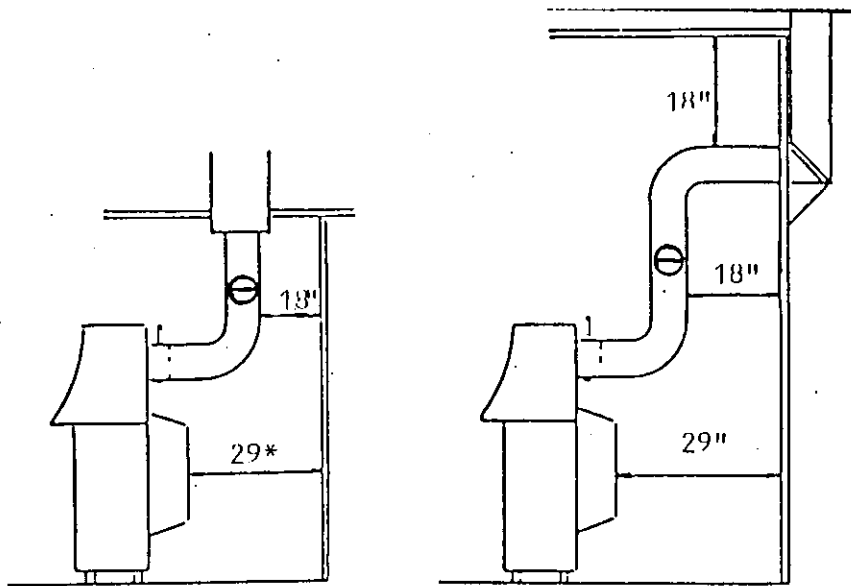
The ideal operating draft range is .03 to .05WC. Have your authorized retailer check your specific draft level by using a draft reading instrument and adjust it if necessary.

If it is determined that the draft level is too low; for example, less than .015WC increasing chimney height or any other applicable corrective measure may be used to increase the draft to an appropriate level.

STOVE PIPE TO CHIMNEY

The smoke pipe should be airtight in order to avoid malfunction and be installed according to Figures 4 and 5.

1. Stove pipe must be properly sealed to the stove. Flue size 6"OD. Material must be 24GA blue steel or equivalent.
2. It should be straight and as short as possible. (For horizontal outlet)
3. The pipe must have 1" per foot rise properly secured by 3 equally spaced sheet metal screws of each joint.
4. Stove cement or some other material that will not disintegrate should be used to seal joints.
5. The smoke pipe may be attached to flue by filling the void with a mixture of asbestos and water and should not be inserted more than 1".



* Optional heat shield allows for reduced rear clearance to 9" with top vent installation.

Fig. 4

Fig. 5

USE OF THE STOVE KEY

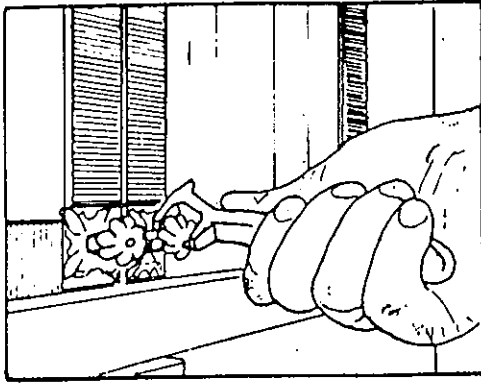


Fig. 6

Your LeMarquis wood stove has double pyrex doors. Opening these doors provide access to the firebox for loading wood and cleaning. Figure 6 illustrates how you use your stove key to open these doors.

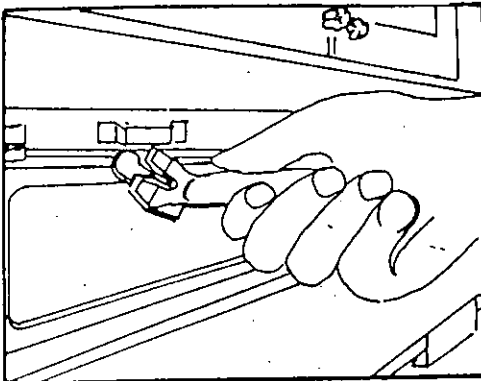


Fig. 7

Figure 7 illustrates how you can use the stove tool for unlatching the ashpan for removal.

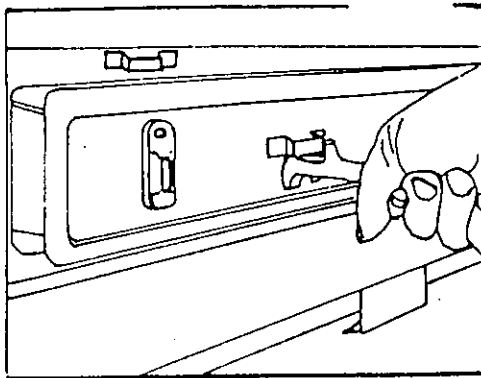
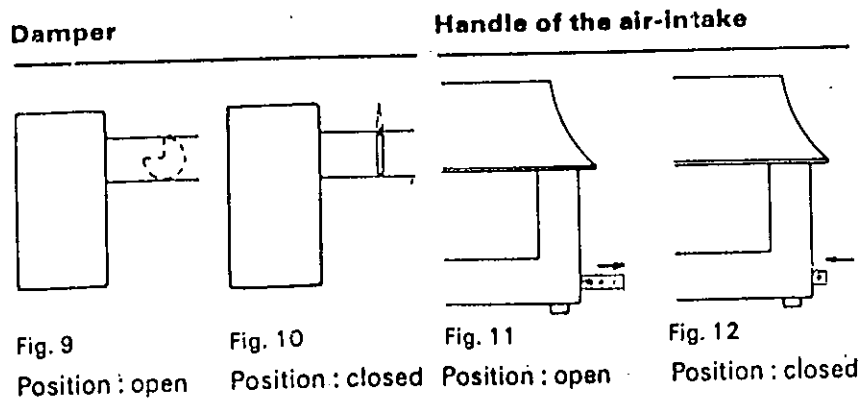


Fig. 8

Figure 8 illustrates the actual removal of the ashpan using the stove tool.

LIGHTING YOUR STOVE

- When lighting your stove open the front pyrex doors and place several pieces of crumpled newspaper along the cradle area on top of the fire grates. Next place some kindling wood on top of the newspapers. Important: Carefully read the section of breaking in fires for your new stove.
- Open the check damper all the way on the flue outlet (Fig. 9) Figure 10 illustrates the closed position.
- On the rear bottom position of the stove, there is a manual air adjustment lever, move this lever to the right (Fig. 11) until the air-intake valve is totally open. Figure 12 illustrates the closed position.
- Light the newspapers and close the pyrex doors.
- As the fire progresses, add some additional kindling and a log or two, gradually building a wood fire. Remember: Each time following the placement of fuel into the stove securely, close the glass doors.

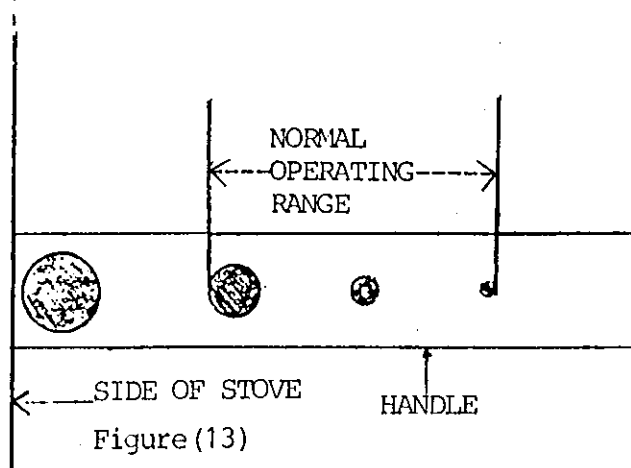


CAUTION: NEVER USE GASOLINE OR ANY GASOLINE TYPE OF LANTERN FUEL SUCH AS KEROSENE, CHARCOAL LIGHTER FLUID OR SIMILAR LIQUIDS TO START OR FRESHEN UP A FIRE IN THIS STOVE.

Lighting Your Stove Con't.

- After establishing a wood fire, reset the manual air adjustment lever to the desired position. CAUTION: The lever should never be left on the totally open position for more than 2 consecutive hours or over-heating may result.

The opening for the air-intake valve may be calibrated by using the series of four holes on the adjustment lever. Figure 13



Using the side of the stove cabinet as a focal point:

- When the large hole is exposed the air-intake valve is totally open
- When the second largest hole is in line with the cabinet and exposed, high heat setting
- When the third largest hole is in line with the cabinet and exposed, medium heat setting
- When the smallest hole is in line with the cabinet and exposed, low heat setting

BREAKING IN YOUR STOVE

Just like any other fine appliance constructed of high quality cast iron, the LeMarquis stove needs to be gradually broken in prior to using the appliance normally.

It is mandatory that three (3) consecutive small fires using only newspapers and wood kindling be built. The three firings referred to are successive small fires being built with a complete cooling-off of the stove after the fire dies down. It is not acceptable to build a small fire and keep it going for 2-3 days on a low heat setting. The stove must be cooled off completely after a firing in order to properly heat treat or break in all the metal parts on the stove.

NOTE: You should never bring the stove from very cold temperatures into your home and build a fire in it immediately. The stove should be allowed to properly warm up to room temperature (50-60°F) before firing it up for the first time.

STOVE MAINTENANCE

To maintain your woodstove follow these steps:

1. Using the stove key, open the front pyrex loading doors (refer to pg. 7, Fig. 6).
2. There is a 2" x 5" cleaning plate located on the main grate. Remove it by using the poker tool.
3. Remove the ashes on the main grate by guiding them through the opening and into the ashpan.
4. Referring to page 7, figures 6 and 7, follow the procedure for removing the ashpan for ash disposal.

NOTE: Ashes should be placed in a metal container with a tight fitting lid. The closed container of ashes should be placed on a non-combustible floor or outdoors well away from combustible materials.

5. Place the ashpan back into its original position and lock it.

NOTE: Periodically you should inspect the gasketing materials on all three doors; The Top Loading Door, The Ash Pan Door and The Front Pyrex Door. With extended time and usage the gasketing can wear and should be replaced to insure safe, controlled burning in your stove.

HEATING WITH WOOD

NOTICING CREOSOTE FORMATION AND THE NEED FOR REMOVAL

During the stove operation the by-products of wood burning (smoke) consists of various hydrocarbons, organic vapors, tar and water vapor. The combination and condensation of these constituents as they travel through the system form a creosote residue which accumulates on the stove pipes and chimney walls.

As the creosote accumulates there is a risk of a chimney fire.

These are some safety tips that should be used to alleviate this problem:

1. Always burn dry seasoned hard wood.
2. Make sure you have a good bed of ashes and hot coals in the firebox before adding wood.
3. Occasionally operate the stove on a high heat setting.(NOT TO EXCEED TWO HOURS)
4. The chimney pipes and connectors should be inspected at least twice a month during the heating season, for excessive creosote accumulation.

NOTE: NEVER STORE WOOD NEAR THE APPLIANCE

CARE

Do not clean the appliance until it has completely cooled down. Avoid harsh chemical cleaners or abrasives.

The pyrex panes on the two front doors of the stove can be cleaned only when the stove is completely cold. The manufacturer suggests a water vinegar solution.

WHEN THE STOVE IS NOT IN USE: Remove carefully all ashes and soot. Place a cloth bag inside of the stove containing a dehydrating substance such as silica gel, which absorbs moisture while the stove is not in use.

CAUTION: DO NOT CLEAN WHILE HOT

NEVER USE THE HEATER WHEN GLASS PANELS OF THE PYREX DOOR IS BROKEN. HAVE THIS GLASS REPLACED FIRST.

IMPORTANT

A clean chimney is paramount to the safe operation of your stove. Your chimney should be inspected and cleaned at least once a year for safe operation. To keep your appliance in good working order, it is necessary to keep creosote accumulation to a minimum.

DRAFT FACTORS

1. Poorly assembled pipe connections running from the stove itself to flue connection.
2. Chimney is not insulated properly - needed to maintain correct stack temperature (cooling-off and losing negative pressure).
3. Leaks in the chimney system.
4. Improper chimney dimension, stack easily cooled.
5. Chimney flue not straight - starts at one point then angles off.
6. Chimney not tile lined, may result in cooling and leaks.
7. Poor masonry work on lining of chimney - excessive mortar and leaks.
8. Fireplace connection where the pipe running from the stove to the fireplace flue improperly installed.
9. Pipe connection forced against smoke shelf.
10. Pipe connection into regular chimney flue not properly installed.
 - a. Forced in too far.
 - b. Not sealed properly.
11. Where chimney system connected to oil burner flue furnace goes on causing excessive draft or disrupts the continuity of combustion.
12. Fireplace clean-out door opened - causing draft interference.
13. Insufficient chimney height.
14. Trees around chimney or location of home - making it susceptible to down drafts.
15. Materials and construction of a makeshift chimney.
16. Chimney obstructions.

1 YEAR LIMITED WARRANTY

CLASSIC STOVE WORKS warrants this product to be free from defects in material and workmanship for a period of 1 year after the original date of consumer purchase. Should it be necessary to use this Warranty, all defective parts which show beyond question defects in material or construction will be replaced F.O.B. New Britain, Connecticut, free of charge upon return of the damaged part to Classic Stove Works at New Britain, Connecticut in accordance with the Warranty card to be completed and returned to Classic Stove Works. To take advantage of this Warranty you must return the Warranty Card to Classic at the time of purchase. SPECIFICALLY EXCLUDED FROM THIS WARRANTY ARE PARTS MADE OF GLASS, GASKETING MATERIAL AND GRATES.

Our sole liability under this warranty shall be to repair or replace those defective materials or parts which we receive directly or through our dealer or distributor within the 1 year warranty period. We will not be responsible for damage caused by accident, misuse, abuse, affixing any unauthorized accessory or attachment to the product, or failure to follow the operating instructions. In addition, this warranty does not cover installation, which shall be the sole responsibility of the installer.

THE WARRANTY SET FORTH HEREIN IS IN LIEU OF ANY AND ALL OTHER WARRANTIES EXPRESS OR IMPLIED INCLUDING THE WARRANTY OF MERCHANTABILITY AND FITTING. THIS WARRANTY GIVES YOU SPECIFIC LEGAL RIGHTS, AND YOU MAY ALSO HAVE OTHER RIGHTS WHICH VARY FROM STATE TO STATE.

In the event any provision of this Warranty conflicts with the applicable law it shall not affect other provisions of this Warranty.

CLASSIC STOVE WORKS
389 John Downey Drive
New Britain, CT 06051

Date of Purchase _____
Name of Dealer _____
Address _____

Fill in above for your own records and provide proof of purchase, promptly fill in warranty card and mail.