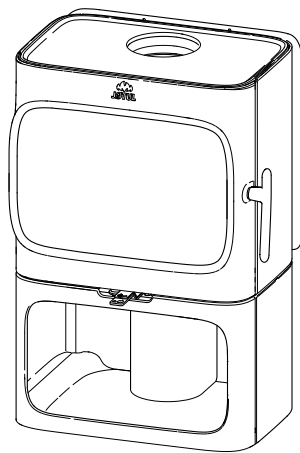
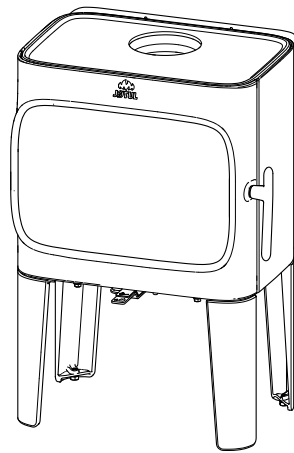


Konveksjonsplate F 305

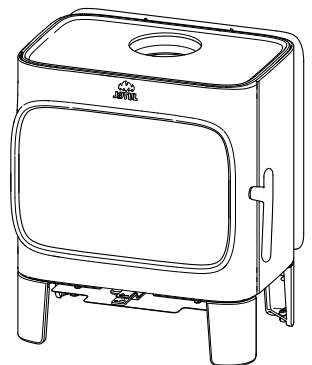
Convection Shield Rear F 305



Jøtul F 305 B



Jøtul F 305 LL



Jøtul F 305 SL

Fig 1

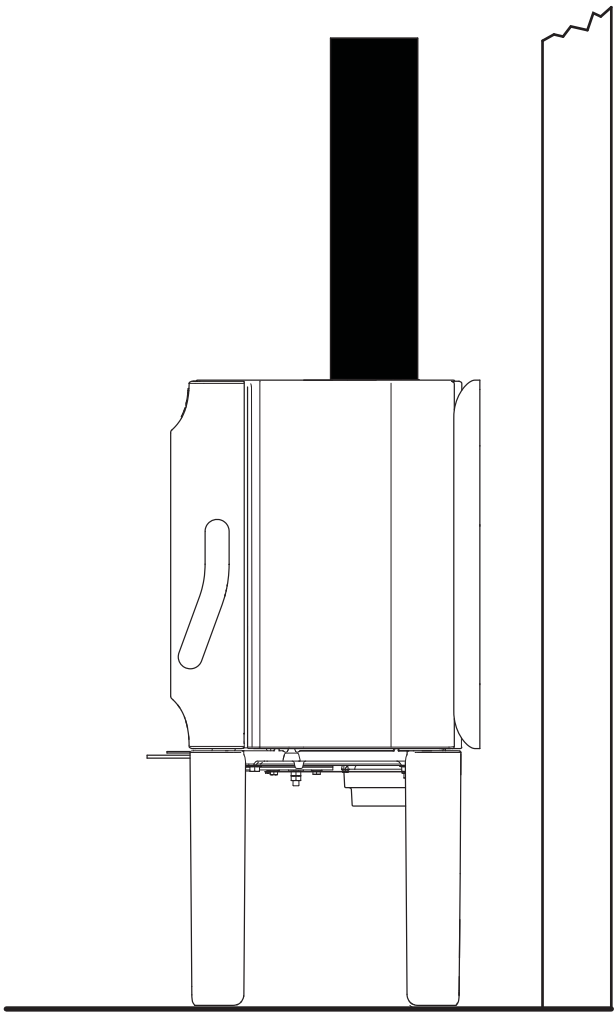


Fig 2

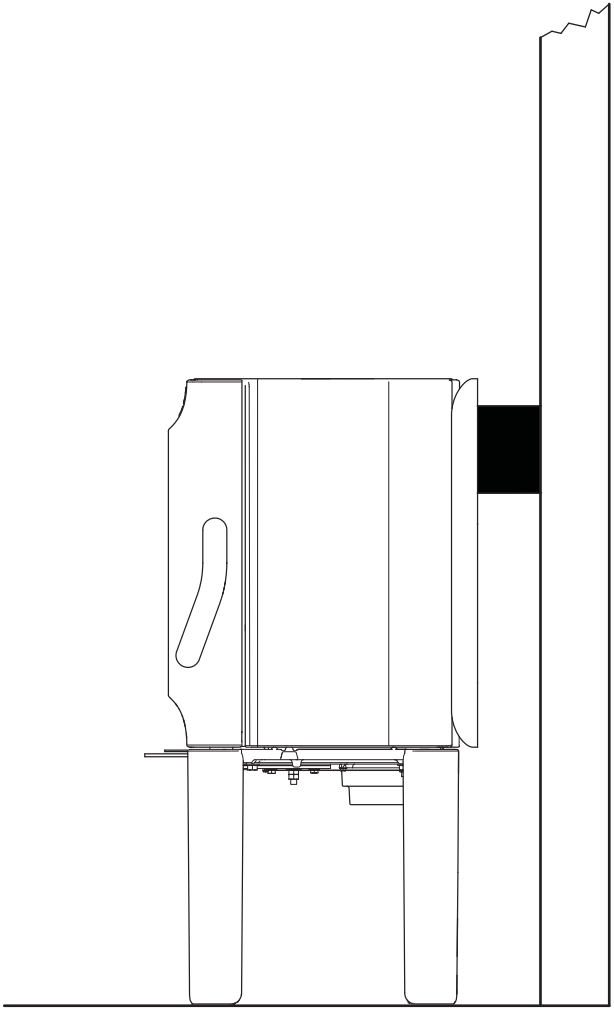


Fig 3

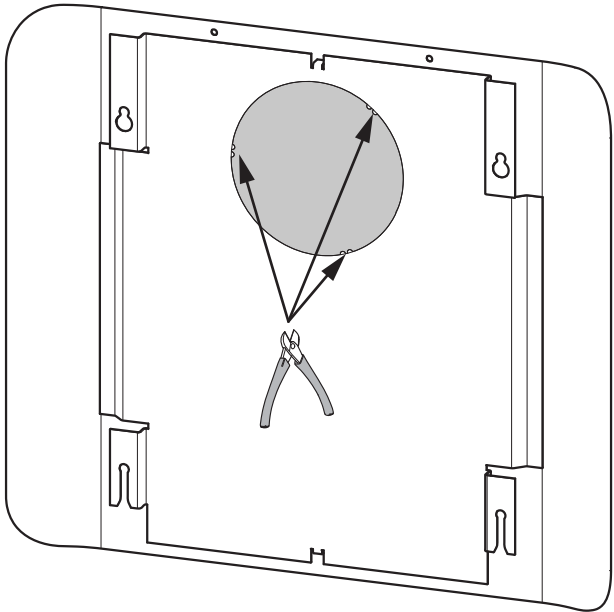


Fig 4

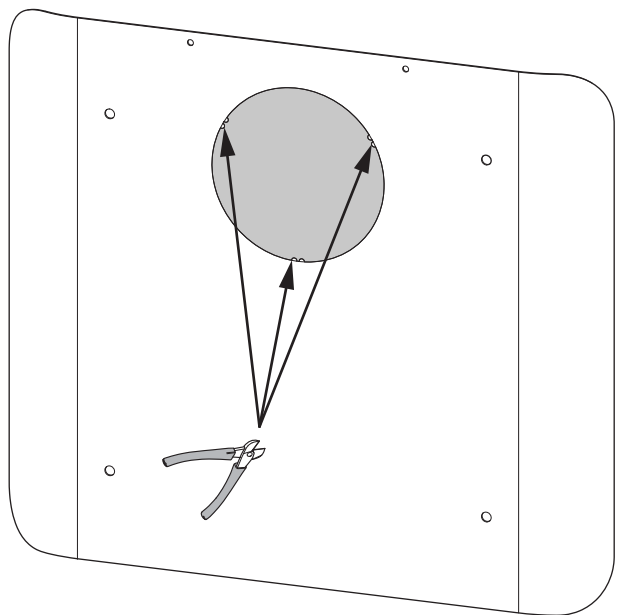


Fig 6

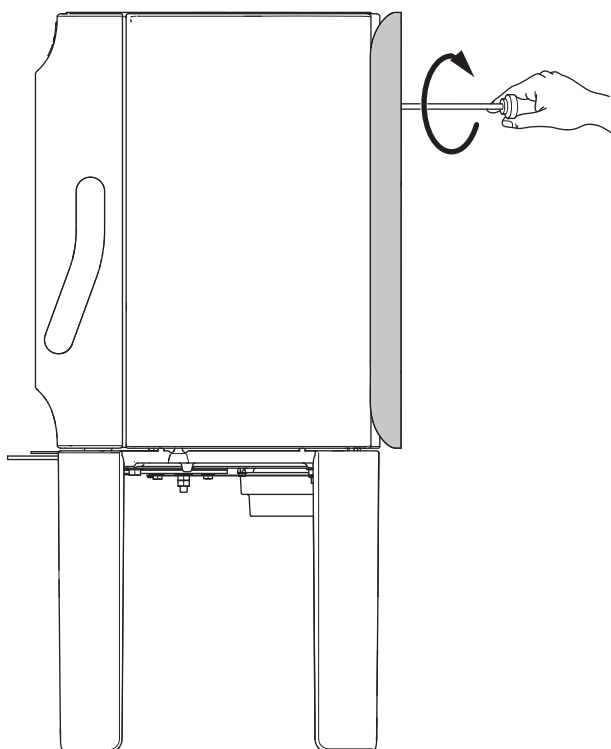


Fig 5

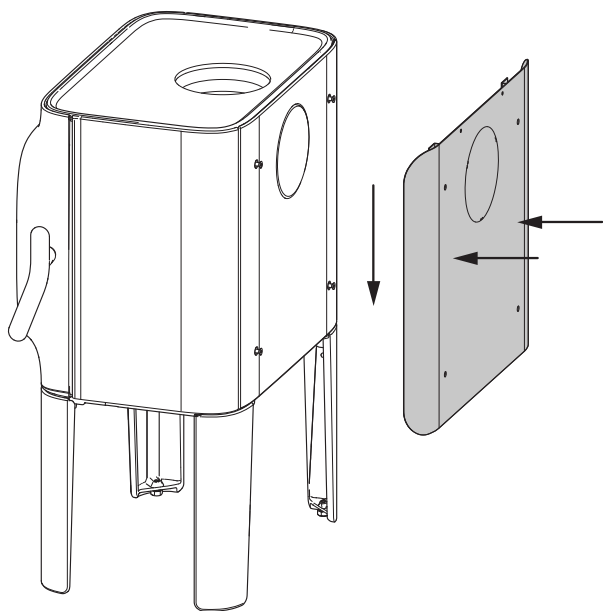
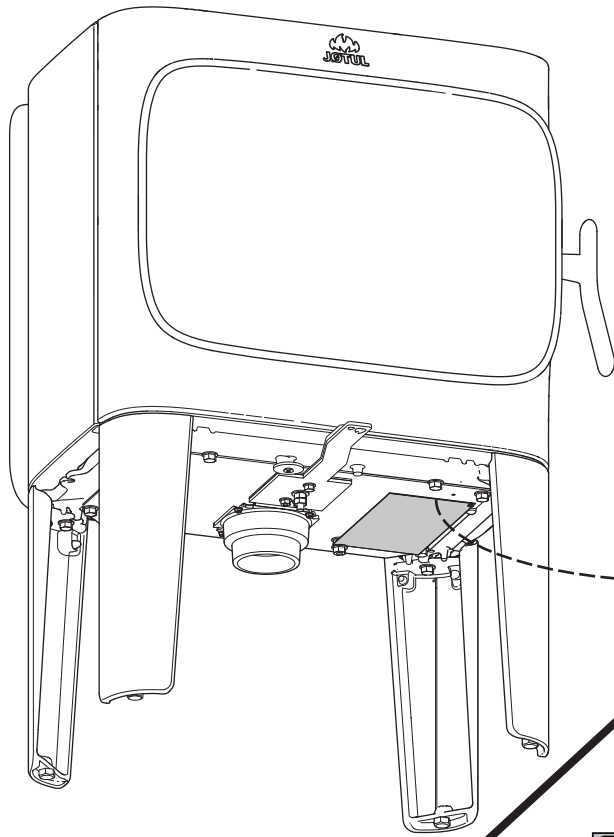


Fig 7



Jøtul F 305 AT Series
(From manual)

Product:
Jøtul
Room heater fired by solid fuel

Standard
Minimum distance to adjacent combustible materials:
Minimum distance to adjacent combustible materials:
Minimum distance to adjacent combustible materials:
Temperature:
Heat output:
Efficiency:
Range:
Appliance type:
The appliance can be used in a shared flue.

Country	Classification	Certificate/standard	Approved by
Norway			
Sweden			

EUR

Follow user's instructions. Use only recommended fuels.
Montage- und Bedienungsanleitung beachten.
Verwenden Sie nur empfohlene Brennstoffe.
Respectez les consignes d'utilisation. Utilisez uniquement les combustibles recommandés.

Cut off this part and replace the label already attached to the product with this one.

Jøtul F 305 Series
(From manual)

Product:
Jøtul
Room heater fired by solid fuel

Standard
Minimum distance to adjacent combustible materials:
Minimum distance to adjacent combustible materials:
Temperature:
Heat output:
Efficiency:
Range:
Appliance type:
The appliance can be used in a shared flue.

Country	Classification	Certificate/standard	Approved by
Norway			
Sweden			

EUR

Follow user's instructions. Use only recommended fuels.
Montage- und Bedienungsanleitung beachten.
Verwenden Sie nur empfohlene Brennstoffe.
Respectez les consignes d'utilisation. Utilisez uniquement les combustibles recommandés.

Cut off this part and replace the label already attached to the product with this one.

Jøtul F 305R AT Series
Original

Product:
Jøtul
Room heater fired by solid fuel

Standard
Minimum distance to adjacent combustible materials:
Minimum distance to adjacent combustible materials:
Minimum distance to adjacent combustible materials:
Temperature:
Heat output:
Efficiency:
Range:
Appliance type:
The appliance can be used in a shared flue.

Country	Classification	Certificate/standard	Approved by
Norway			
Sweden			

EUR

Follow user's instructions. Use only recommended fuels.
Montage- und Bedienungsanleitung beachten.
Verwenden Sie nur empfohlene Brennstoffe.
Respectez les consignes d'utilisation. Utilisez uniquement les combustibles recommandés.

Serial no. Y xxxxx Year: 20xx

Manufacturer:
Jøtul AS
POB 1441
N-1602 Fredrikstad
Norway

Jøtul F 305R Series
Original

Product:
Jøtul
Room heater fired by solid fuel

Standard
Minimum distance to adjacent combustible materials:
Minimum distance to adjacent combustible materials:
Minimum distance to adjacent combustible materials:
Temperature:
Heat output:
Efficiency:
Range:
Appliance type:
The appliance can be used in a shared flue.

Country	Classification	Certificate/standard	Approved by
Norway			
Sweden			

EUR

Follow user's instructions. Use only recommended fuels.
Montage- und Bedienungsanleitung beachten.
Verwenden Sie nur empfohlene Brennstoffe.
Respectez les consignes d'utilisation. Utilisez uniquement les combustibles recommandés.

Serial no. Y xxxxx Year: 20xx

Manufacturer:
Jøtul AS
POB 1441
N-1602 Fredrikstad
Norway

Back side / Rückseite

Front side / Vordenseite

Cat.no 10049935-P00
Jøtul AS, Sept. 2015

Jøtul arbeider kontinuerlig for om mulig å forbedre sine produkter, og vi forbeholder oss retten til å endre spesifikasjoner, farger og utstyr uten nærmere kunngjøring.

Kvalitet

Jøtul AS arbeider etter et kvalitetssikringssystem basert på NS-EN ISO 9001 for utvikling, produksjon og salg av ildsteder. Vår kvalitetspolitikk skal gi kundene den trygghet og kvalitetsopplevelse som Jøtul har stått for siden bedriftens historie startet i 1853.



Jøtul AS,
P.o. box 1411
N-1602 Fredrikstad,
Norway
www.jotul.no