



Fuel Conversion Instructions

Kit 157784 - NG to LP
Kit 157785- LP to NG

NOTE: IN ORDER TO ACCESS THE STEPPER MOTOR COMPONENTS, COMPLETE THE FUEL CONVERSION PROCEDURE BEFORE PLACING THE INSERT WITHIN THE FIREPLACE.

This conversion kit shall be installed by a qualified service agency in accordance with the manufacturer's instructions and all applicable codes and requirements of the authority having jurisdiction. If the information in these instructions is not followed exactly, a fire, explosion, or production of carbon monoxide may result causing property damage, personal injury or loss of life. The qualified service agency is responsible for the proper installation of this kit. The installation is not proper and complete until the operation of the converted appliance is checked as specified in the manufacturer's instructions supplied with the kit.

Cet équipement de conversion sera installé par une agence qualifiée de service conformément aux instructions du fabricant et toutes exigences et codes applicables de l'autorisés avoir la juridiction. Si l'information dans cette Instruction n'est pas suivie exactement, un feu, explosion ou production de protoxyde de carbone peut résulter le dommages causer de propriété, pert ou blessure personnelle de vie. L'agence qualifiée do service est esponsable de l'installation propre de cet équipemtn. L'installation n'est pas propre et complète jusqu'à l'operation de l'appareil converi est chèque suivant les critères établis dans les instruction de propriétaire provision nées avel l'équipement.

CAUTION: Before proceeding with this conversion, the gas supply must be shut off prior to disconnecting the electrical power.

ATTENTION: Avant de procéder à cette conversion, l'approvisionnement en gaz doit être coupée avant de débrancher l'alimentation électrique.

Jøtul GI 635 DV IPI Newcastle
Direct Vent Fireplace Insert



Fuel Conversion

The Jøtul GI 635 DV IPI is shipped from the factory equipped to burn Natural gas. Propane Fuel Conversion Kit 157784 is included with this appliance. Use Fuel Conversion Kit 157785 to convert back to Natural Gas. The kits contain all the necessary components, including labels that must be applied to the insert.

WARNING:

THE CONVERSION KIT IS TO BE INSTALLED BY AN AUTHORIZED JØTUL SERVICE TECHNICIAN IN ACCORDANCE WITH THE MANUFACTURER'S INSTRUCTION AND ALL CODES AND REQUIREMENTS OF THE AUTHORITY HAVING JURISDICTION. FAILURE TO FOLLOW THESE INSTRUCTIONS COULD RESULT IN SERIOUS INJURY OR PROPERTY DAMAGE. THE QUALIFIED AGENCY PERFORMING THIS WORK ASSUMES RESPONSIBILITY FOR THIS CONVERSION.

IN CANADA:

THE CONVERSION SHALL BE CARRIED OUT IN ACCORDANCE WITH THE REQUIREMENTS OF THE PROVINCIAL AUTHORITIES HAVING JURISDICTION AND IN ACCORDANCE WITH THE REQUIREMENTS OF THE CAN1-B149.1 AND .2 INSTALLATION CODE.

Fuel Conversion Kit Propane #157784 / Natural Gas #157785

SIT Proflame 2 Valve

Rating Specifications - BTU/hr	NG	LP
Min. Input Rate, 0 - 2000 ft.	40,000	40,000
Max. Input Rate, 0 - 2000 ft.	10,000	8,700

Tools required:

- Torx T20 or slotted screwdriver
- 10 mm or 7/16" open end wrench
- 1/2" open ended wrench or deep-well socket

Conversion Kit Contents:

- 1, Regulator Tower labeled for either LP or NG
- 2, Regulator Tower screws
- 2, Burner Orifices:
 - Propane - Left - 1.40 mm
 - Right - 1.20 mm
 - Natural Gas - Left - 2.25 mm
 - Right - #47
- Label A - to be completed and applied to the back of the stove.
- Label B - apply to the stove's Rating Plate
- Small valve label - apply to valve body
- Conversion instructions
- Fuel Conversion Label A - Valve Compartment
- Fuel Conversion Label B - Rating Plate Notice
- Small Regulator Tower Label

7.3.1 Fuel Conversion Procedure

1. Turn off the gas supply and electrical power to the appliance.
2. **REMOVE THE GLASS FRAME** using the Latch Tool. See fig. 1.
3. **RETRACT THE AIR SHUTTERS:** Locate the Air Shutter cable on the floor in each side compartment - push each fully in. This action retracts the shutters and allows the burner to be disengaged from the firebox. See figs. 2 and 4.
4. **REMOVE THE BURNER:**
Lift out the two steel support shelves, fig. 1, (A), located at each side of the burner. Grasp the burner assembly at the sides, lifting it straight up, then tilt it back to disengage it from the injectors and front locator studs (B). Pull the assembly up out of the firebox.

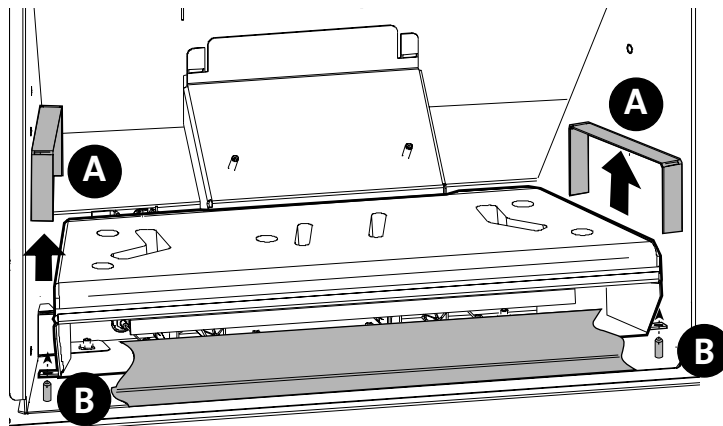


Figure 1. Burner removal and re-installation.

5. **CHANGE THE BURNER INJECTORS:** Use a 1/2" open end wrench or deep-well socket to remove the burner injectors from the brass fittings at the rear of the firebox. See fig. 2. Install the injectors from this conversion kit into the appropriate left and right locations and tighten securely.
6. **CHANGE THE INTEGRATED DUAL-FUEL PILOT ORIFICE:** Use the 7/16" wrench to just loosen the pilot head enough to push in the orifice lever. See fig. 3.
LP: push lever to the Right to expose the red indicator.
NG: push lever to the Left.
Retighten the pilot base nut, but do not over-tighten. Be certain the pilot hood directs flame to the flame sensor.
7. **CHANGE THE VARIABLE REGULATOR TOWER** on the gas control valve. See fig. 4.
 - Remove the heat shield and screw from the valve compartment to access the Regulator Tower.
 - Disconnect the IFC lead from the regulator lead.
 - Remove the two Torx screws to remove the original regulator tower, rubber diaphragm and spring.
 - Install the new regulator tower from the kit using the screws previously removed. Tighten screws securely. Reconnect the Regulator lead to the IFC lead.
 - Reinstall the Regulator Heat Shield and screw.

Figure 2. Fuel Conversion Components.

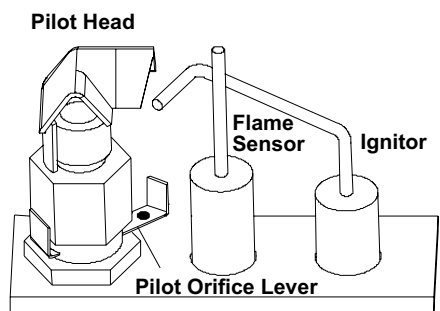
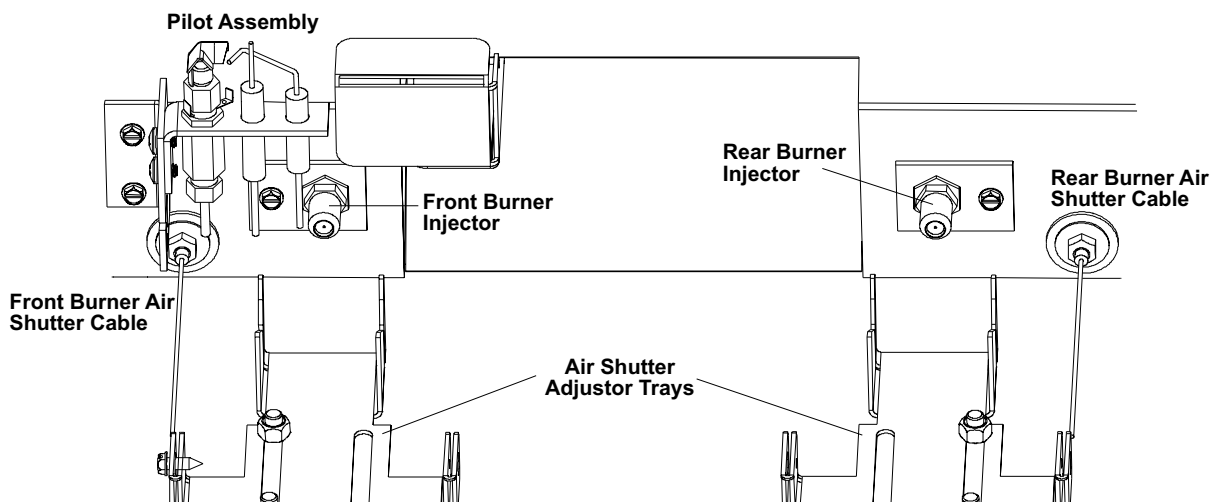


Figure 3. Pilot Conversion to Propane.

8. **Apply the conversion notice labels** included in the kit to the appliance where they will be visible to any person who may be servicing the unit.

- Label "A": Apply to the right side compartment adjacent to the Rating Plate.
- Label "B": Apply to the Rating Plate.
- Small valve sticker: Apply to valve body.

9. **REINSTALL THE BURNER ASSEMBLY.** Tilt the back of the burner down to engage the air shutters with the injectors. Set the burner in place, engaging the front brackets at each side with the studs in the firebox floor, fig. 1, (B).

Replace the steel side support shelves, fig. 1, (A).

Properly located, the burner should be level from side to side and securely seated within the firebox.

10. **GAS LEAK CHECK:** Use an electronic gas detector or soap solution to test for leaks at the pilot head and all gas line joints. **NEVER USE AN OPEN FLAME TO CHECK FOR GAS LEAKS.**

11. **PRESSURE TEST:** Conduct a pressure test of the valve following the guidelines on the next page.

12. **BURNER CONFIRMATION:** Follow Steps 1-5 under Initial System Check on page 27 of the Installation Manual before final assembly of accessory, log set, and surround components.

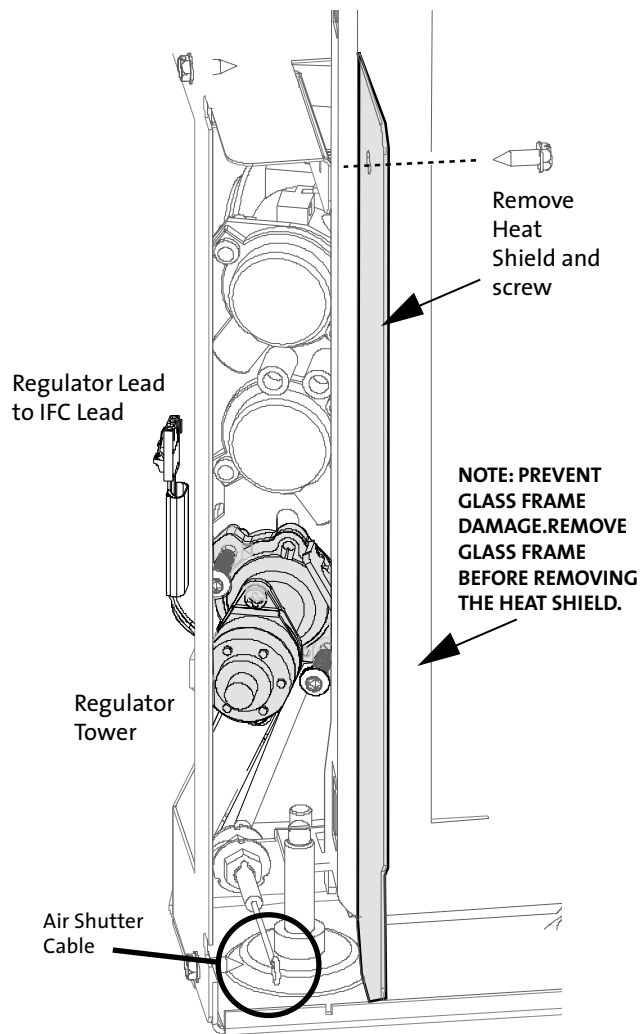


Figure 4. Replace the Regulator Tower.

Gas Pressure Check

Correct gas pressure is essential for efficient and safe operation of the stove. It is important that the correct pressure is established at the time of the installation. Proper gas pressure provides a consistent flow of gas to the appliance and is instrumental in checking for gas leaks.

Pressure Test: Attach a manometer to the appropriate test point on the valve. See fig. 5. The gauge connections are located on the front of the valve. Connections are identified by:

E - for Inlet or Supply Pressure (the amount of gas coming to the valve.)

A - for Manifold Pressure (the amount of gas that is coming out of the valve to the burner.)

ALWAYS TEST PRESSURES WITH VALVE REGULATOR SET TO HIGH.

INLET GAS PRESSURES (inches water column)		
	MIN	MAX
NATURAL GAS	5.0	7.0
PROPANE	12.0	14.0

The appliance and its appliance main gas valve must be disconnected from the gas supply piping system during any pressure testing on that system at test pressures in excess of 1/2 psig (3.5 kPa).

The appliance must be isolated from the gas supply line by closing its individual manual gas shut-off valve (gas cock) during any pressure testing of the gas supply piping system that is equal to or less than 1/2 psig (3.5 kPa).

MANIFOLD PRESSURES (inches water column)		
	MIN	MAX
NATURAL GAS	1.1	3.8
PROPANE	2.9	11.0

Pilot and Burner Flame Adjustment

Pilot flame can be adjusted at the valve screw (fig. 5) to engulf the flame rectifier and extend over the burner ignition ports (fig.7).

See the Operation Manual for detailed instructions on adjustment of the front and rear burner air shutters to achieve the ideal burner flame picture (fig. 8).

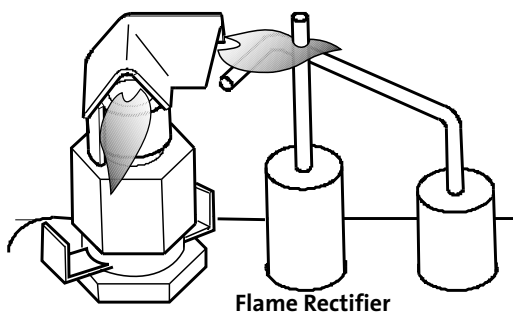


Figure 7. Correct pilot flame pattern.

Figure 5. Pressure test points.

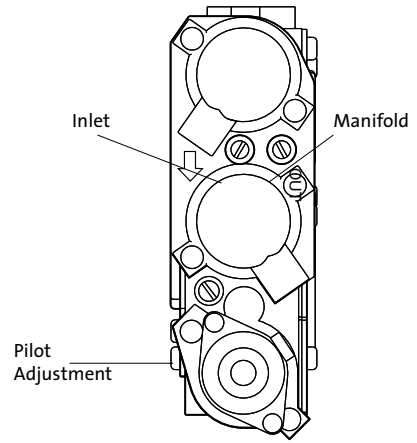
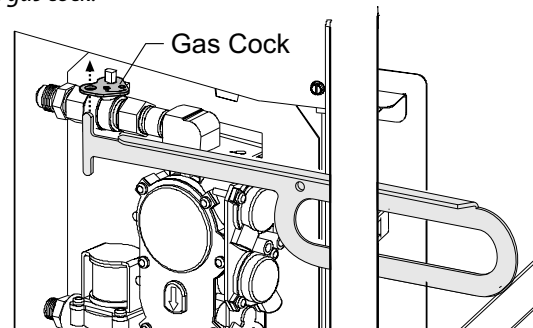


Figure 6. Insert the Latch Tool into the receiver hole in the gas cock.



Pull the tool forward toward you to open the gas cock. Push it back to close the gas cock.

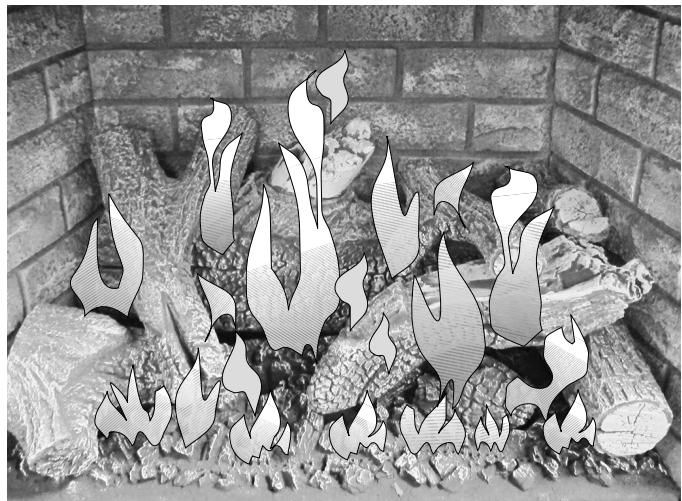
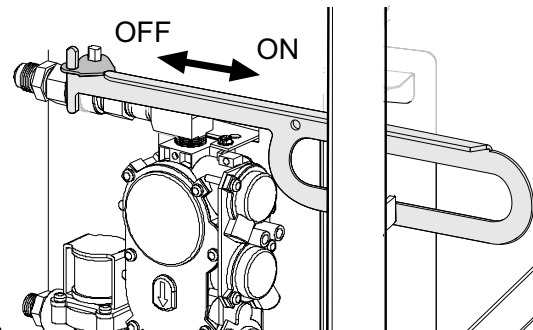


Figure 8. Correct flame picture.